

Junior Picnic Table Assembly Instructions

PLEASE READ THESE INSTRUCTIONS CAREFULLY AND FOLLOW THE ASSEMBLY DRAWINGS.
WE WILL NOT ACCEPT ANY CLAIMS IF THIS PRODUCT IS WRONGLY ASSEMBLED.

Parts Supplied

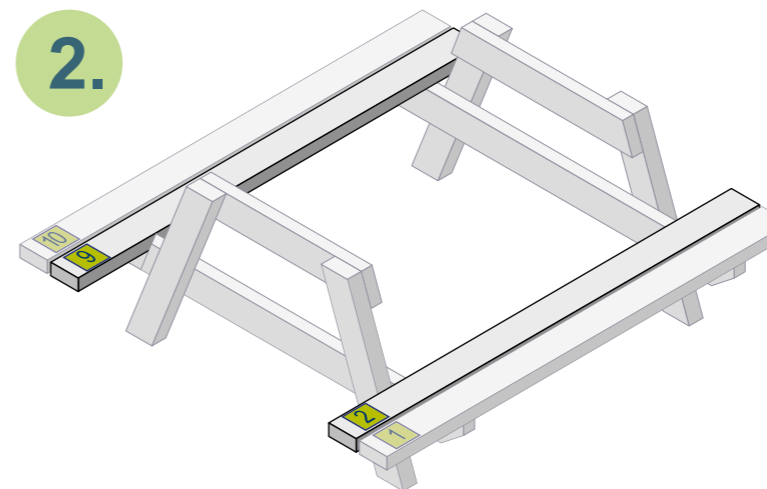
- a) 2 × A-Frame supports
- b) 10 × Seat & table slats [numbered 1 to 10]
- c) 1 × Angle brace
- d) 2 × Seat ties
- e) 1 × Table tie
- f) 44 × 90mm long screws
- g) 18 × 70mm long screws

All seat and table slat labels should face upward and be on the left-hand side when assembled. A-Frame labels should face outwards.

Tools Required

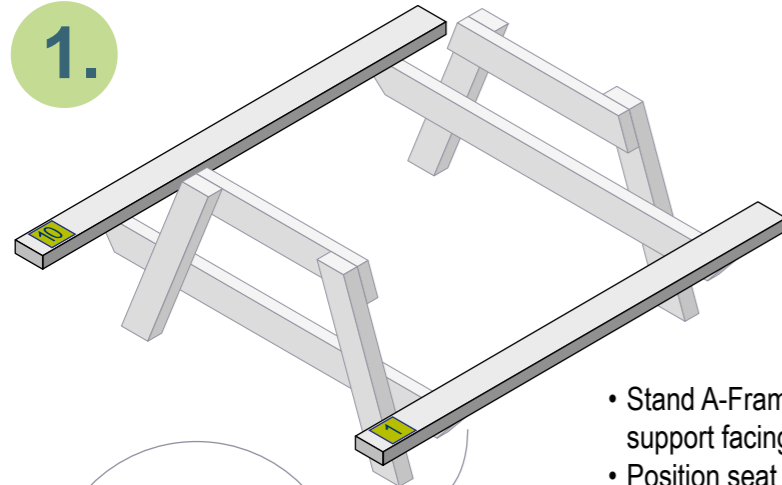
- Power drill with Philips screwdriver bit
- Measuring tape
- Straight edge

2 Person Operation

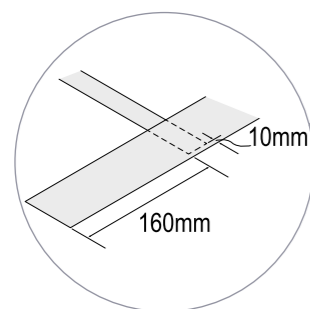


2 × Seat slats [2&9]
8 × 90mm screws

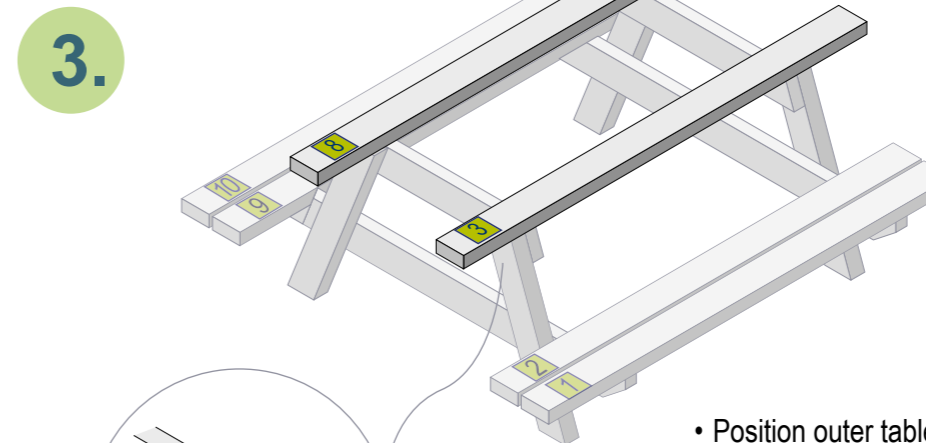
- Position seat slats 2 and 9 with a small gap between slats.
- Square the ends with a straight edge.
- Fix with 90mm screws.



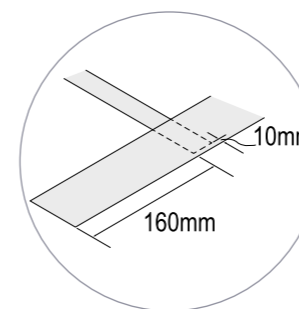
2 × A-Frames
2 × Seat slats [1&10]
4 × 90mm screws
4 × 70mm screws



- Stand A-Frames upright on a flat surface with horizontal support facings on the inside.
- Position seat slats 1 and 10 as the diagram, and locate pilot holes in the A-Frames through the predrilled outer holes of the slats, secure loosely using 70mm screws - but do not fully tighten. (This will give a 10mm overhang and 160mm from horizontal support to end of slat).
- Ensure that the frames are square by measuring across the diagonals. The diagonals should measure the same.
- Tighten the outer screws once the table is square.
- Fix the inner holes with 90mm screws.



2 × Table slats [3&8]
8 × 90mm screws



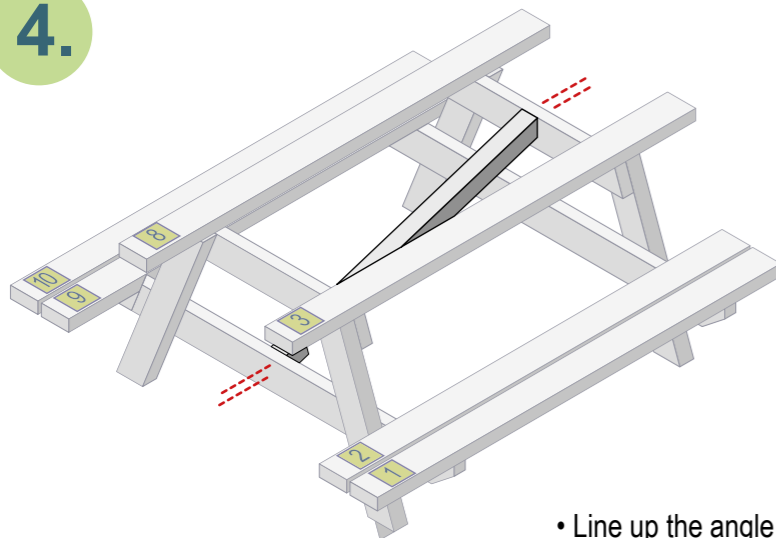
- Position outer table slats 3 and 8 with a 10mm overhang and 160mm from horizontal support to end of slat.
- Loosely secure outer holes with 90mm screws.
- Ensure slats are square by measuring the diagonals. The diagonals should measure the same.
- Tighten the outer screws once the table is square.

Junior Picnic Table Assembly Instructions

PLEASE READ THESE INSTRUCTIONS CAREFULLY AND FOLLOW THE ASSEMBLY DRAWINGS.
WE WILL NOT ACCEPT ANY CLAIMS IF THIS PRODUCT IS WRONGLY ASSEMBLED.



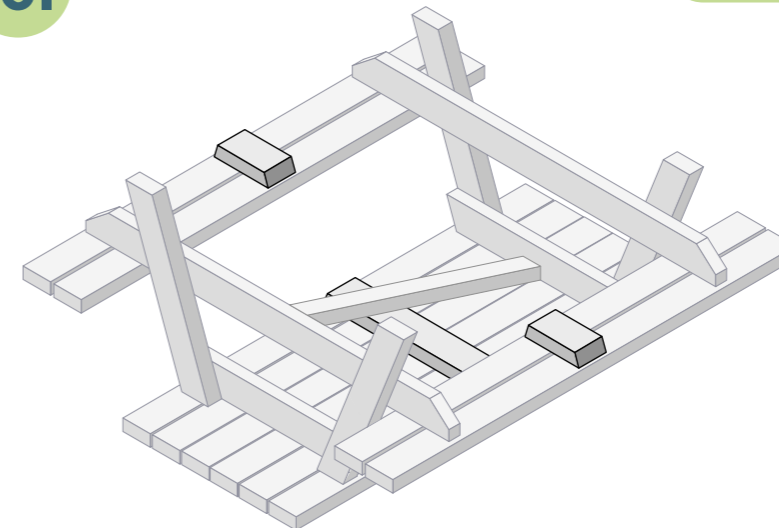
4.



1 × Angle brace
4 × 90mm screws

- Line up the angle brace between the A-Frames in line with the holes on the horizontal supports.
- First fix the angle brace on to the table top horizontal support with 90mm screws so that the top of the angle brace is flush with the top of the horizontal support.
- Fix the angle brace to the seat horizontal support with 90mm screws.

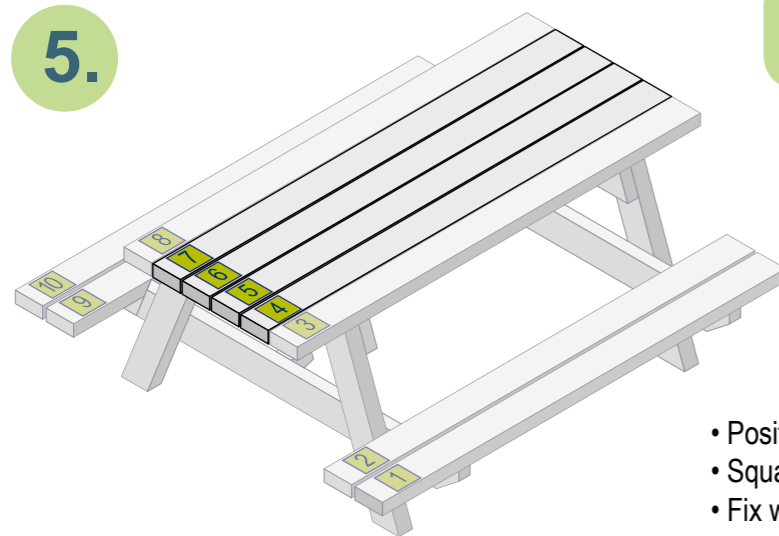
6.



2 × Seat ties
1 × Table tie
14 × 70mm screws

- Turn the table over on to its top.
- Fix the seat ties in the centre of the seat slats with 70mm screws (4 screws per tie).
- Fix the table tie in the centre of the table slats with 70mm screws (1 screw per slat).

5.



4 × Table slats [4,5,6&7]
16 × 90mm screws

- Position the 4 remaining slats [4,5,6&7] spaced equally.
- Square the ends with a straight edge.
- Fix with 90mm screws.

