

Adult Picnic Table (2m) Assembly Instructions

PLEASE READ THESE INSTRUCTIONS CAREFULLY AND FOLLOW THE ASSEMBLY DRAWINGS.
WE WILL NOT ACCEPT ANY CLAIMS IF THIS PRODUCT IS WRONGLY ASSEMBLED.

Parts Supplied

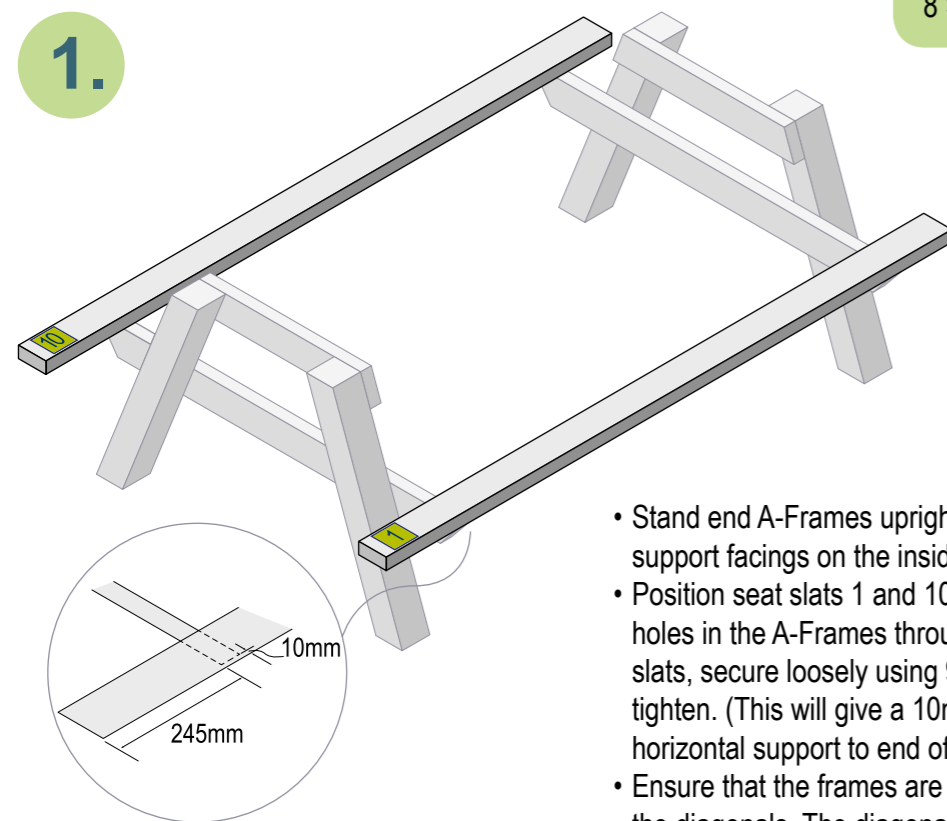
- a) 2 × End A-Frame supports
- b) 1 × Central A-Frame supports
- c) 10 × Seat & table slats [numbered 1 to 10]
- d) 2 × Central ties
- e) 44 × 90mm screws
- f) 16 × 70mm screws
- f) 17 × 40mm screws
- g) 3 × Metal support bars

Tools Required

- Power drill with Philips screwdriver bit
- Measuring tape
- Straight edge

2 Person Operation

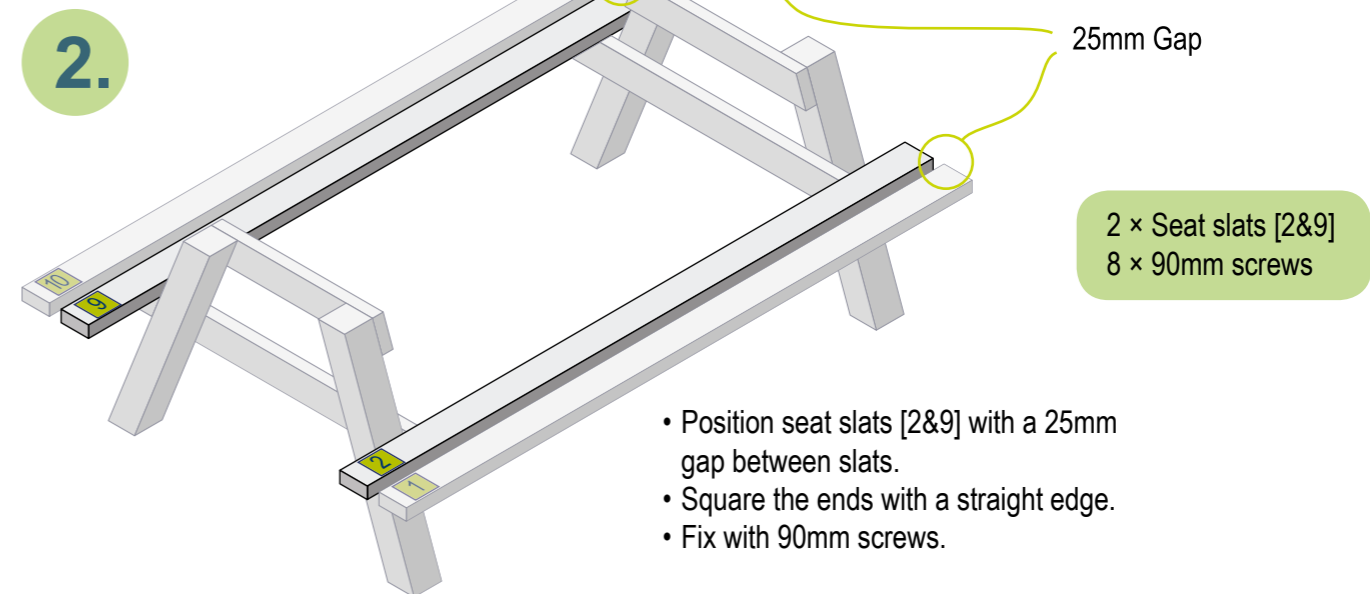
All seat and table slat labels should face upward and be on the left-hand side when assembled. A-Frame labels should face outwards.



2 × End A-Frames
2 × Seat slats [1&10]
8 × 90mm screws

- Stand end A-Frames upright on a flat surface with horizontal support facings on the inside.
- Position seat slats 1 and 10 as the diagram, and locate pilot holes in the A-Frames through the predrilled outer holes of the slats, secure loosely using 90mm screws - but do not fully tighten. (This will give a 10mm overhang and 245mm from horizontal support to end of slat).
- Ensure that the frames are square by measuring across the diagonals. The diagonals should measure the same.
- Tighten the outer screws once the table is square.
- Fix the inner holes with 90mm screws.

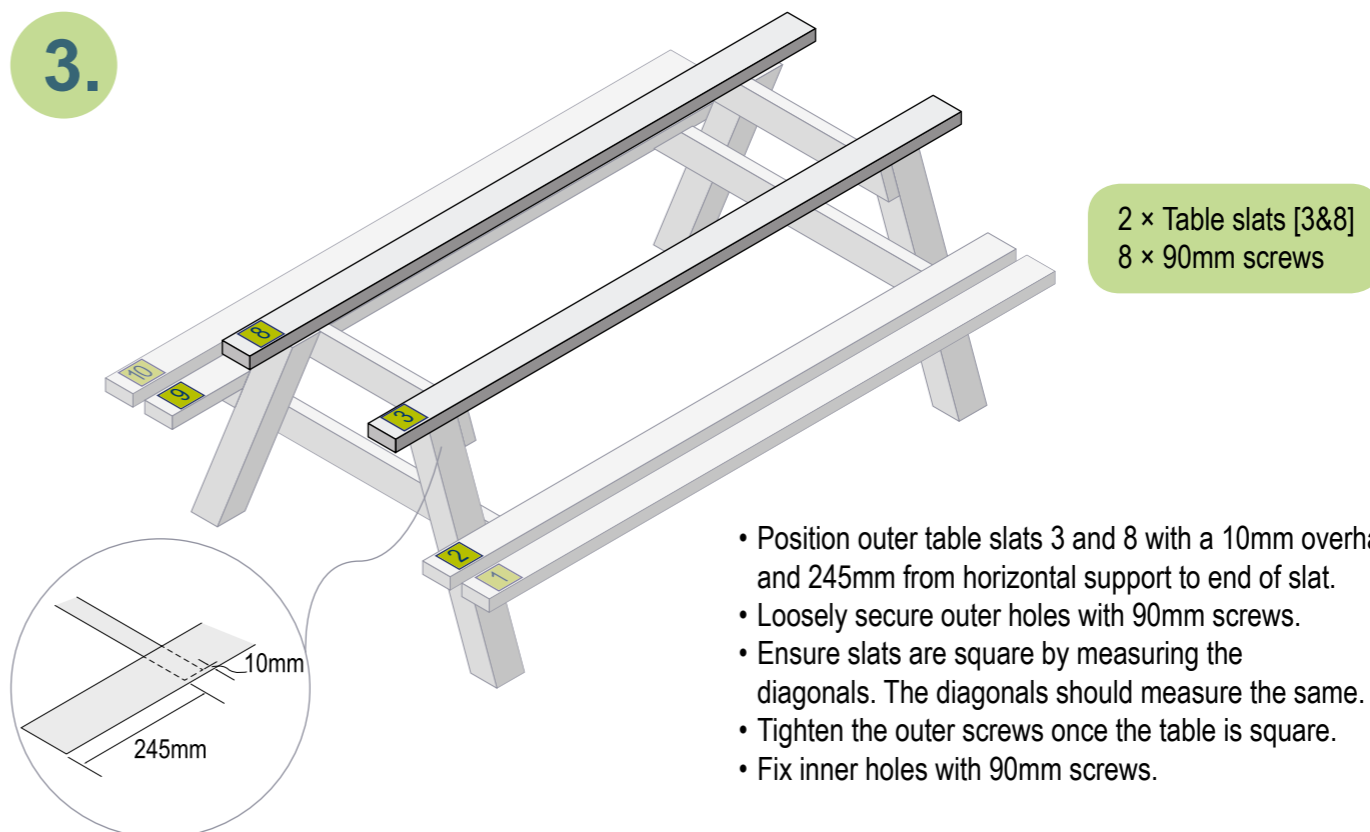
**Standard
Black**



25mm Gap

2 × Seat slats [2&9]
8 × 90mm screws

- Position seat slats [2&9] with a 25mm gap between slats.
- Square the ends with a straight edge.
- Fix with 90mm screws.



2 × Table slats [3&8]
8 × 90mm screws

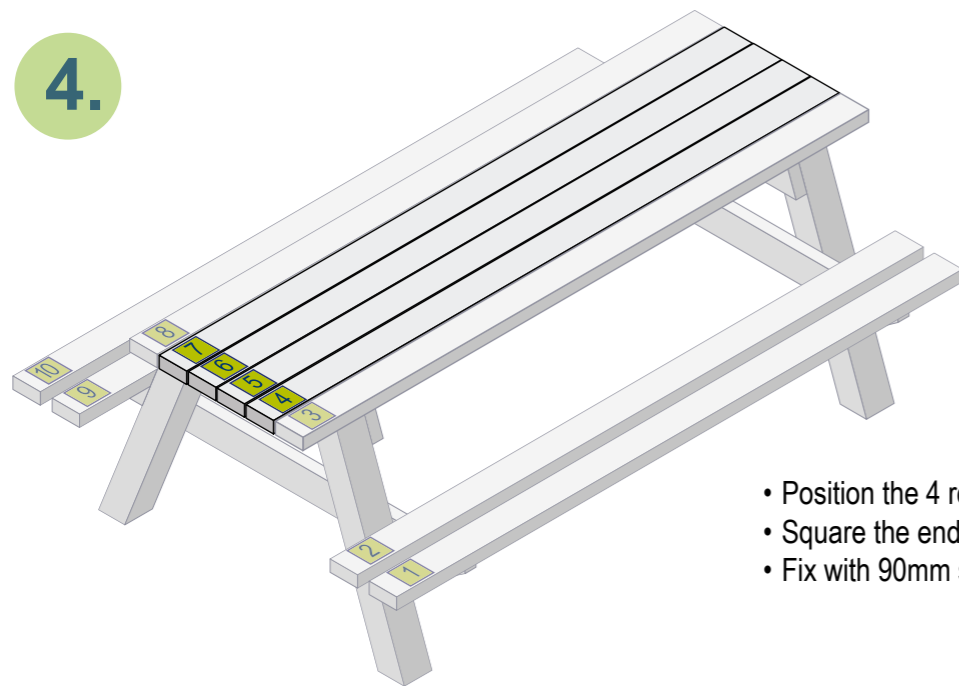
- Position outer table slats 3 and 8 with a 10mm overhang and 245mm from horizontal support to end of slat.
- Loosely secure outer holes with 90mm screws.
- Ensure slats are square by measuring the diagonals. The diagonals should measure the same.
- Tighten the outer screws once the table is square.
- Fix inner holes with 90mm screws.

Adult Picnic Table (2m) Assembly Instructions

PLEASE READ THESE INSTRUCTIONS CAREFULLY AND FOLLOW THE ASSEMBLY DRAWINGS.
WE WILL NOT ACCEPT ANY CLAIMS IF THIS PRODUCT IS WRONGLY ASSEMBLED.

**Standard
Black**

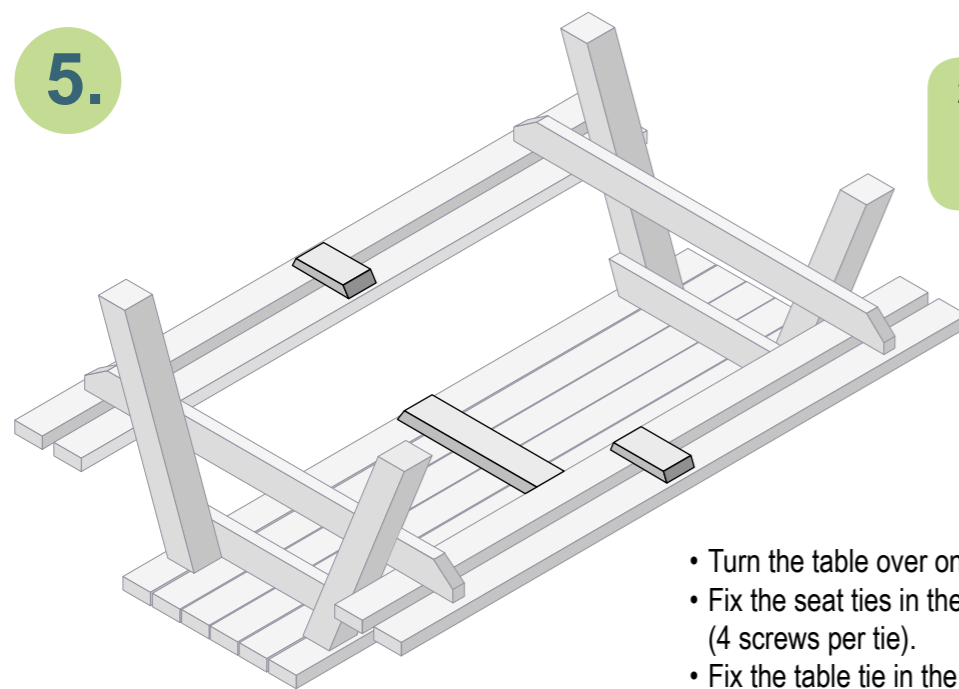
4.



4 × Table slats [4,5,6&7]
16 × 90mm screws

- Position the 4 remaining slats [4,5,6&7] at equal gaps.
- Square the ends with a straight edge.
- Fix with 90mm screws.

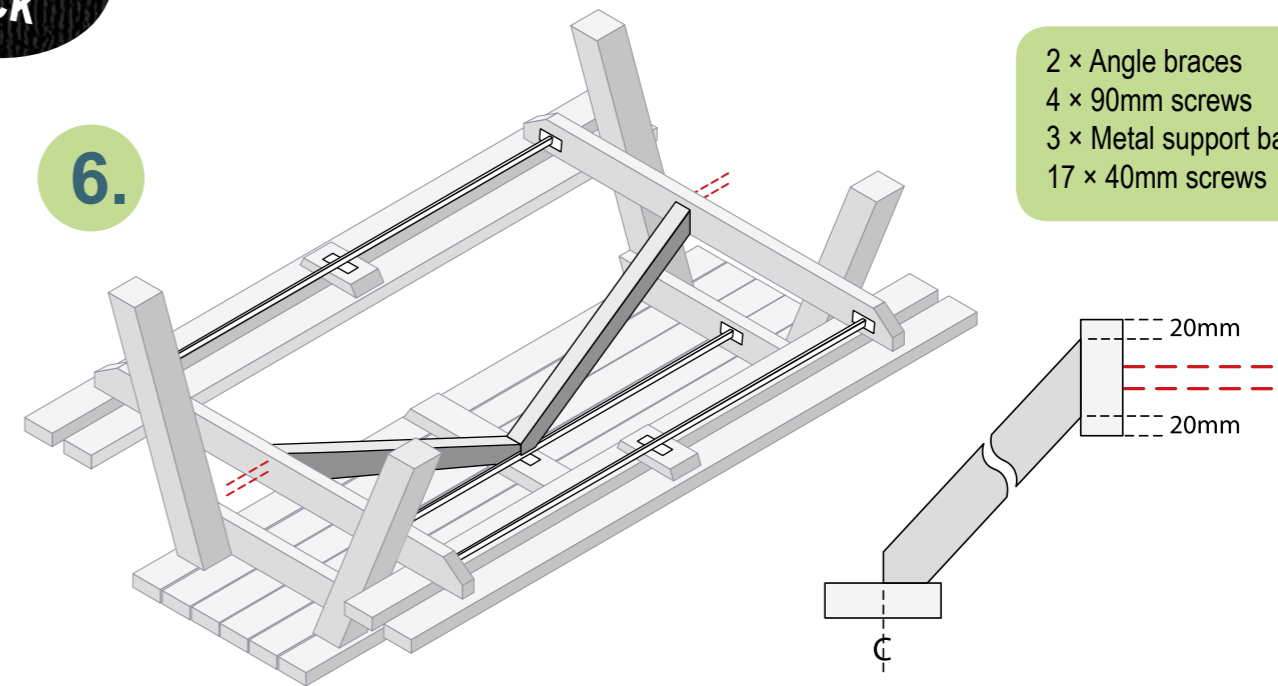
5.



2 × Seat ties
1 × Table tie
14 × 70mm screws

- Turn the table over on to its top.
- Fix the seat ties in the centre of the seat slats with 70mm screws (4 screws per tie).
- Fix the table tie in the centre of the table slats with 70mm screws (1 screw per slat).
- Ensure that the two central holes can be viewed from the top (see stage 7).

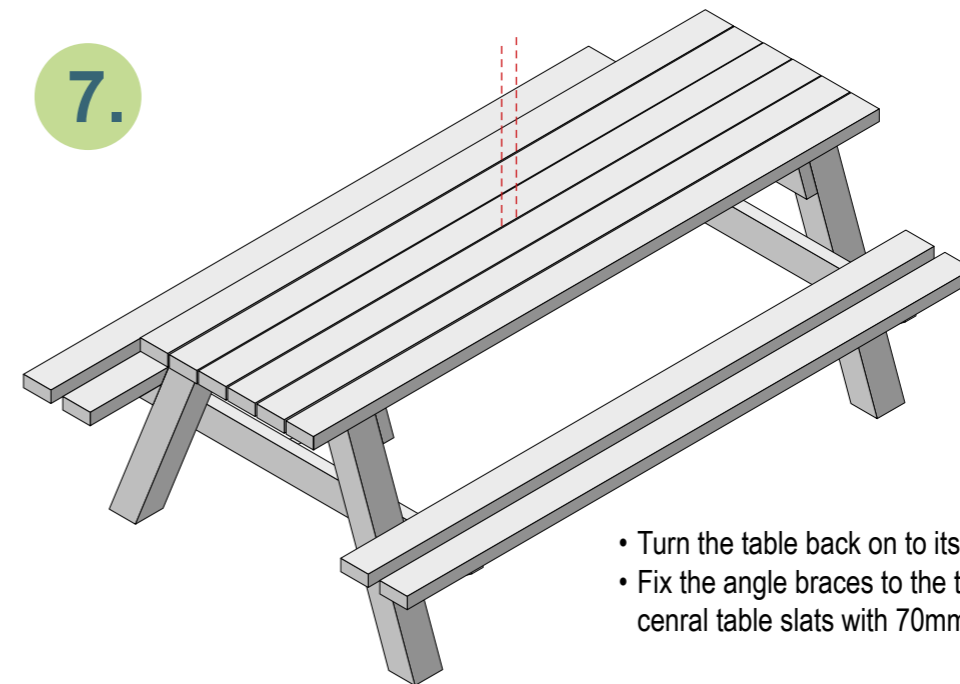
6.



2 × Angle braces
4 × 90mm screws
3 × Metal support bars
17 × 40mm screws

- Fix the angle braces to the frame with 90mm screws.
NB. The bracer needs to be pushed down tight to the underside of the table bracer.
- Fix 2 seat support bars with 6 × 40mm screws each.
- Fix 1 table support bar with 5 × 40mm screws.

7.



- Turn the table back on to its legs.
- Fix the angle braces to the table tie between the central table slats with 70mm screws.