

## PARTS LIST - 2 PERSON ASSEMBLY:-

A	PRE-ASSEMBLED TABLE TOP	1 no.
B	X-FRAME	2 no.
C	BRACE	1no.
D	PRE-ASSEMBLED SEAT	2 no.
E	70mm BRASS SCREWS	28 no.
F	70mm S/STEEL SCREWS	16 no.

## TOOLS:-

POWER DRILL WITH PHILIPS-HEAD BIT

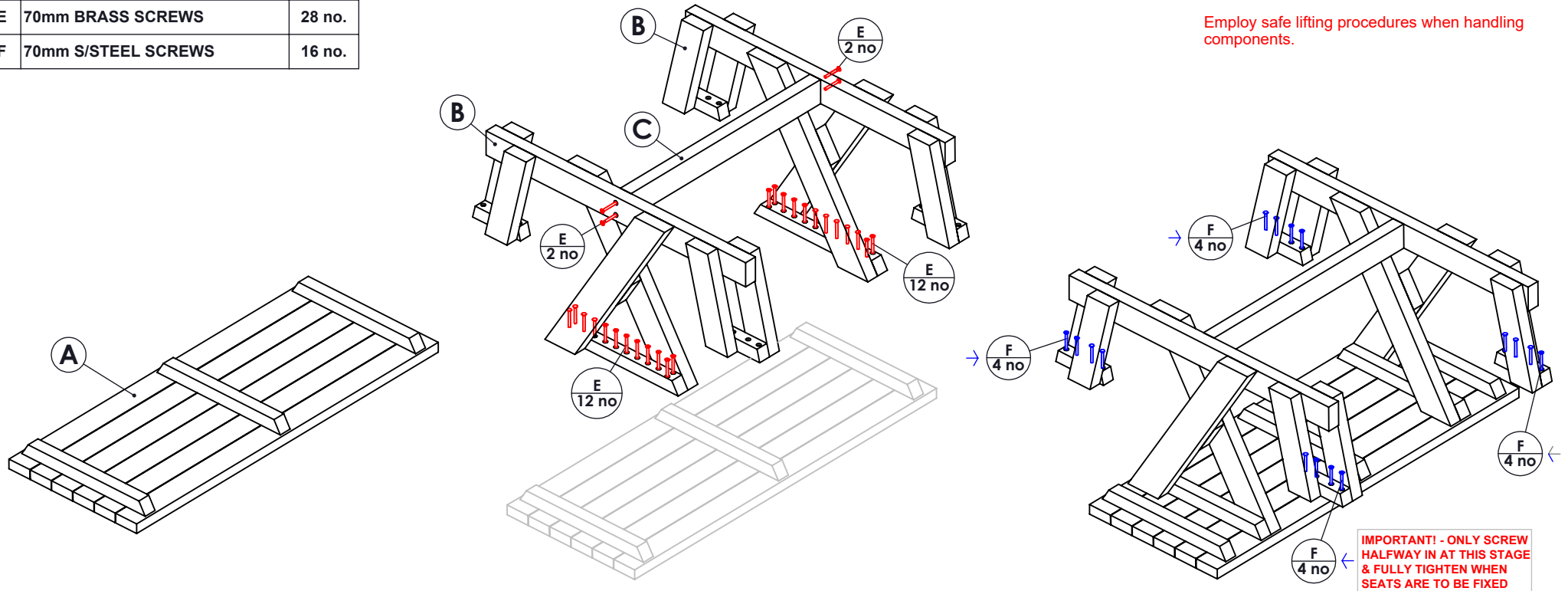
MEASURING TAPE &amp; STRAIGHT EDGE

**IMPORTANT:-**

Ensure that you are familiar with these assembly instructions prior to commencing assembly.

We will not accept any claims resulting from products that have been wrongly assembled.

Employ safe lifting procedures when handling components.



**IMPORTANT! - ONLY SCREW HALFWAY IN AT THIS STAGE & FULLY TIGHTEN WHEN SEATS ARE TO BE FIXED**

BEGIN ASSEMBLY WITH TABLE TOP TURNED UPSIDE DOWN

FIX A-FRAMES TO TABLE TOP USING 70mm SCREWS THROUGH PRE-DRILLED HOLES IN FIXING BARS

BEFORE FULLY TIGHTENING ALL SCREWS CHECK THAT THE PICNIC TABLE IS SQUARE BY MEASURING ACROSS THE DIAGONALS

Help and support:-

Please contact us using the telephone number or email address as stated on your shipping documents.

## BATLEY PICNIC TABLE: Assembly Guide - sheet 1 of 2.

Registered Office: Unit 8C, Top Land Country Business Park,  
Cragg Road, Mytholmroyd, West Yorkshire, HX7 5RW

Freephone: 0808 281 2929 - E-mail: [info@britishrecycledplastic.co.uk](mailto:info@britishrecycledplastic.co.uk)

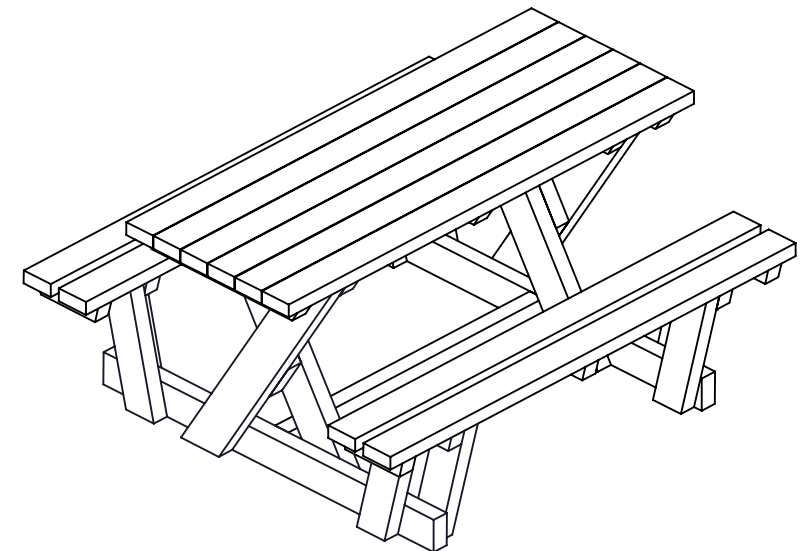
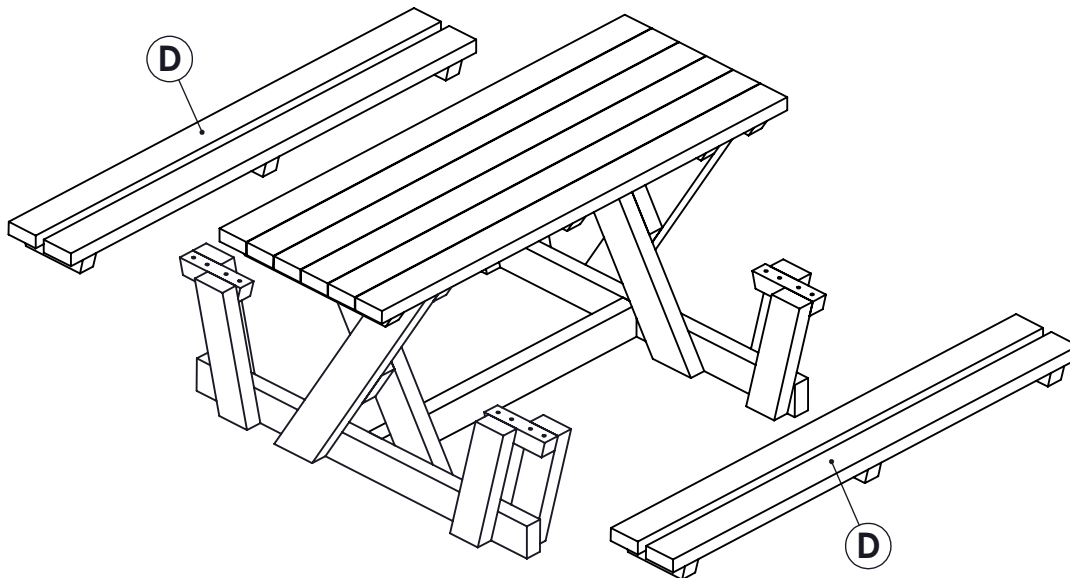


**TOOLS:-****POWER DRILL WITH PHILIPS-HEAD BIT****MEASURING TAPE & STRAIGHT EDGE****IMPORTANT:-**

Ensure that you are familiar with these assembly instructions prior to commencing assembly.

We will not accept any claims resulting from products that have been wrongly assembled.

Employ safe lifting procedures when handling components.



TURN PICNIC TABLE OVER ONTO FEET  
& FIX PRE-ASSEMBLED SEATS

**IMPORTANT - ENSURE THAT THE 16 no BRASS SEAT  
FIXING SCREWS ARE NOW FULLY TIGHTENED - THESE  
ARE SHOWN ON PAGE 1 OF 2**

BEFORE FULLY TIGHTENING ALL SCREWS  
CHECK THAT THE SEATS ARE SQUARE

Help and support:-

Please contact us using the telephone number  
or email address as stated on your shipping documents.

## BATLEY PICNIC TABLE: Assembly Guide - sheet 2 of 2.

Registered Office: Unit 8C, Top Land Country Business Park,  
Cragg Road, Mytholmroyd, West Yorkshire, HX7 5RW

Freephone: 0808 281 2929 - E-mail: [info@britishrecycledplastic.co.uk](mailto:info@britishrecycledplastic.co.uk)

