

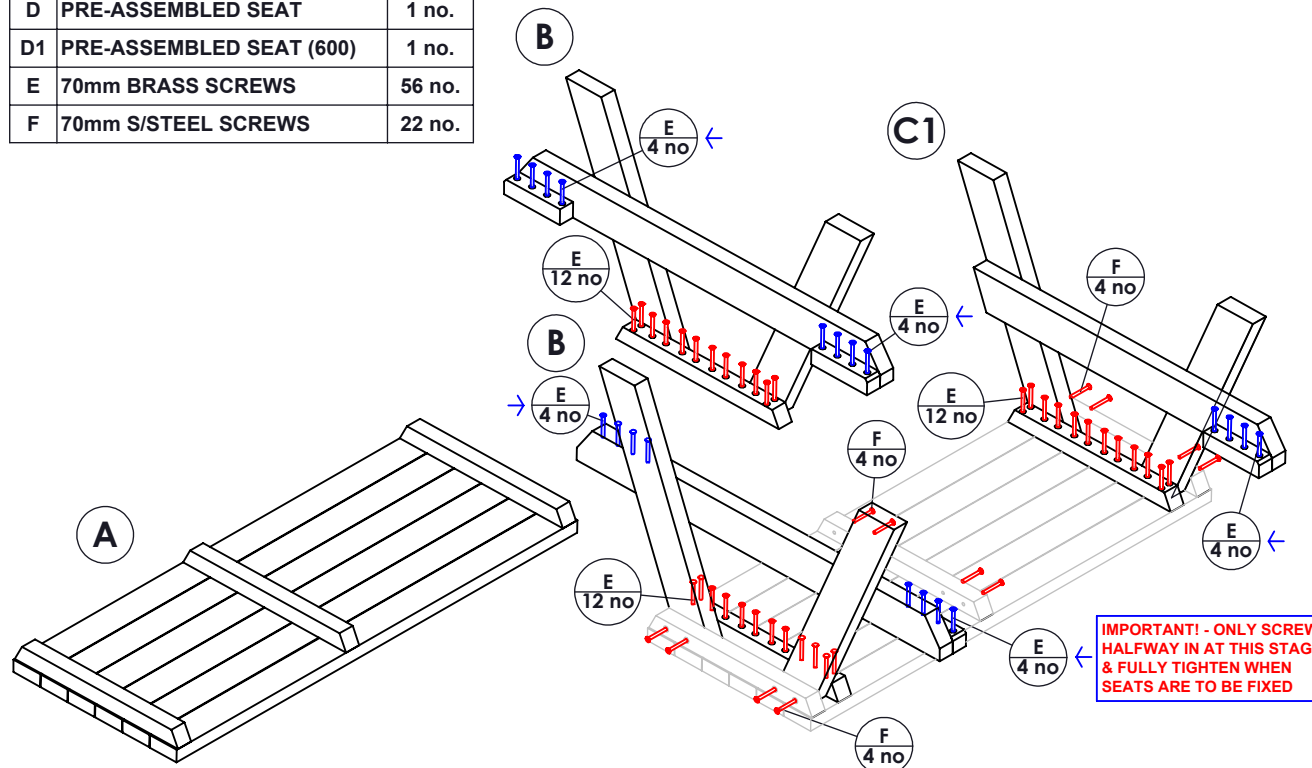
PARTS LIST - 2 PERSON ASSEMBLY:-

A	PRE-ASSEMBLED TABLE TOP	1 no.
B	END A-FRAME	2 no.
C1	CUT END A-FRAME	1 no.
D	PRE-ASSEMBLED SEAT	1 no.
D1	PRE-ASSEMBLED SEAT (600)	1 no.
E	70mm BRASS SCREWS	56 no.
F	70mm S/STEEL SCREWS	22 no.

TOOLS:-

POWER DRILL WITH PHILIPS-HEAD BIT

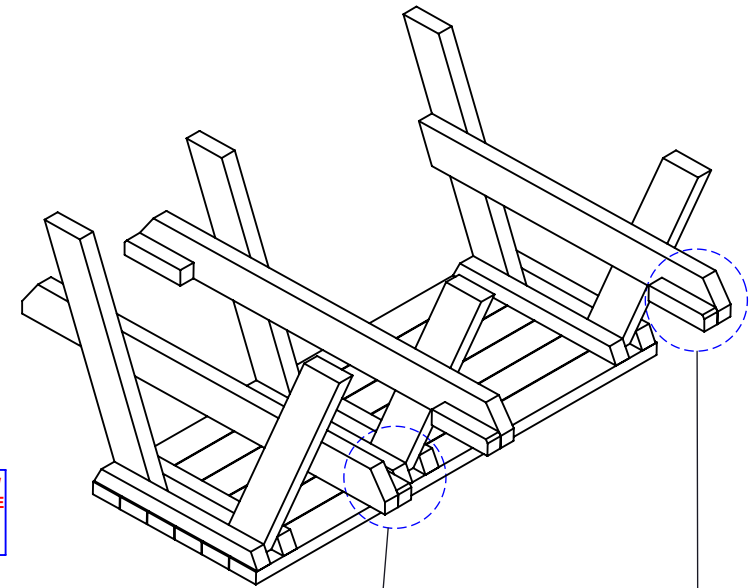
MEASURING TAPE & STRAIGHT EDGE



BEGIN ASSEMBLY WITH TABLE TOP
TURNED UPSIDE DOWN

FIX A-FRAMES TO TABLE TOP USING 70mm SCREWS
THROUGH PRE-DRILLED HOLES IN FIXING BARS

BEFORE FULLY TIGHTENING ALL SCREWS CHECK THAT
THE PICNIC TABLE IS SQUARE BY MEASURING ACROSS
THE DIAGONALS



ENSURE END A-FRAMES HAVE THE SEAT
FIXING BLOCKS FACING INWARDS AS SHOWN

IMPORTANT:-

Ensure that you are familiar with these assembly
instructions prior to commencing assembly.

We will not accept any claims resulting from
products that have been wrongly assembled.

Employ safe lifting procedures when handling
components.

Help and support:-

Please contact us using the telephone number
or email address as stated on your shipping documents.

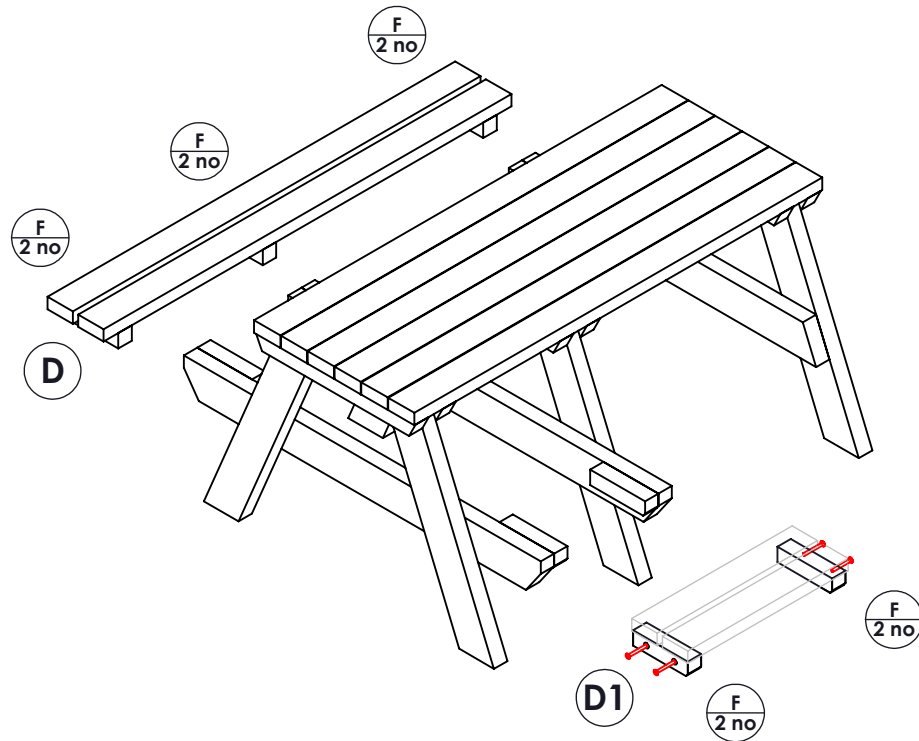
BRADSHAW PICNIC TABLE:

Assembly Guide - 1 of 2.

Registered Office: Unit 8C, Top Land Country Business Park,
Cragg Road, Mytholmroyd, West Yorkshire, HX7 5RW

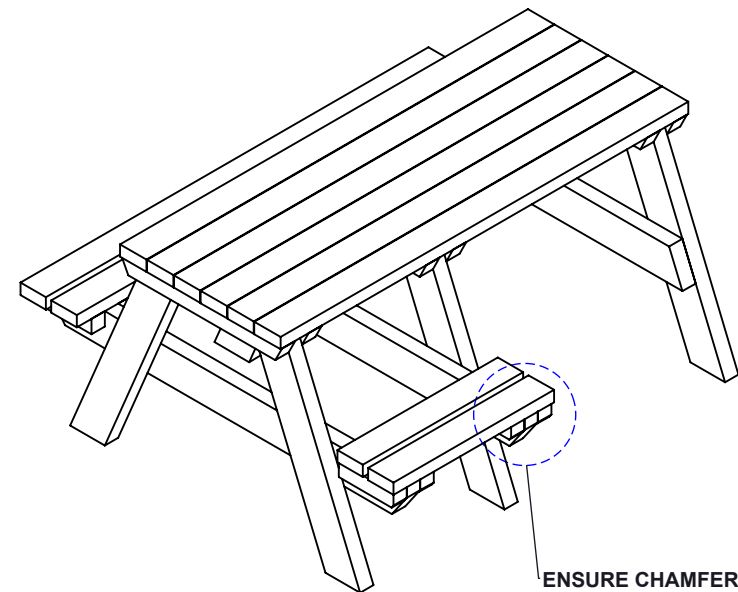
Freephone: 0808 281 2929 - E-mail: info@britishrecycledplastic.co.uk



TOOLS:-**POWER DRILL WITH PHILIPS-HEAD BIT****MEASURING TAPE & STRAIGHT EDGE**

TURN PICNIC TABLE OVER ONTO FEET
& FIX PRE-ASSEMBLED SEATS USING 70mm
SCREWS THROUGH PRE-DRILLED HOES
IN SEAT FIXING BLOCKS

**IMPORTANT - ENSURE THAT THE 20 no BRASS SEAT
FIXING SCREWS ARE NOW FULLY TIGHTENED - THESE
ARE SHOWN ON PAGE 1 OF 2**



ENSURE CHAMFERED ENDS OF
THE SEAT FIXING BLOCKS ARE
FACING OUTWARDS AS SHOWN

BEFORE FULLY TIGHTENING ALL SCREWS
CHECK THAT THE SEATS ARE SQUARE

Help and support:-

Please contact us using the telephone number
or email address as stated on your shipping documents.

BRADSHAW PICNIC TABLE: Assembly Guide - 2 of 2.

Registered Office: Unit 8C, Top Land Country Business Park,
Cragg Road, Mytholmroyd, West Yorkshire, HX7 5RW

Freephone: 0808 281 2929 - E-mail: info@britishrecycledplastic.co.uk

