

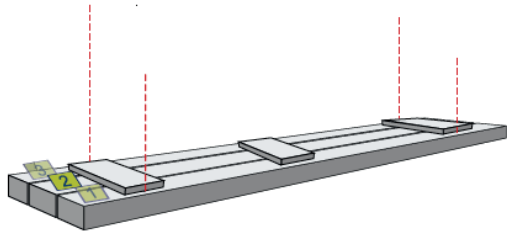
# Moulded Bench Assembly Instructions

PLEASE READ THESE INSTRUCTIONS CAREFULLY AND FOLLOW THE ASSEMBLY DRAWINGS.  
WE WILL NOT ACCEPT ANY CLAIMS IF THIS PRODUCT IS WRONGLY ASSEMBLED.

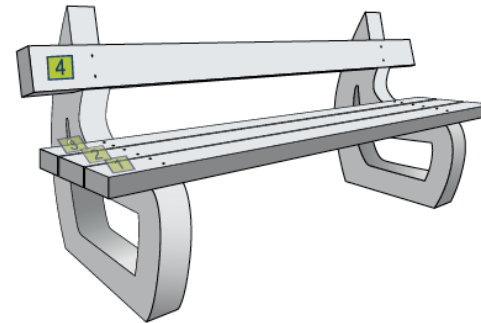
All seat and table slat labels should face upward and be on the left-hand side when assembled. A-Frame labels should face outwards.

**Standard  
Black**

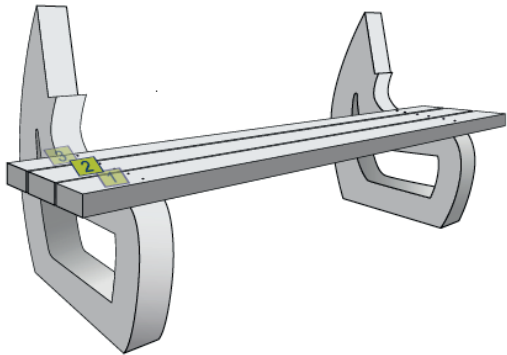
1.



3.



2.



4.

