

PARTS LIST - 1 PERSON ASSEMBLY:-

A	PRE-ASSEMBLED SIDE PANEL	6 no.
B	50x50 ANCHORING CORNER POST	4 no.
C	100x50 ANCHORING JOINT POST	2 no.
D	70mm BRASS SCREWS	32 no.
E	220mm GALVANISED BOLTS	4 no.
F	NUT	4 no.
G	WASHER	4 no.
H	30x100 TIE (OPTIONAL)	1 no.

TOOLS:-

POWER DRILL WITH PHILIPS-HEAD BIT

FLAT HEAD SCREWDRIVER

10mm SPANNER

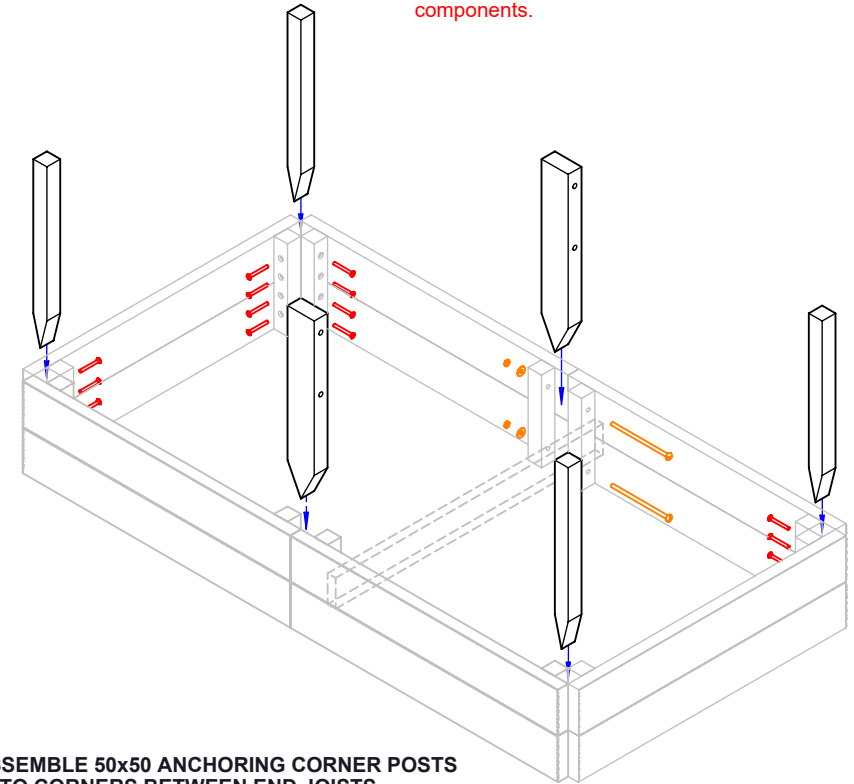
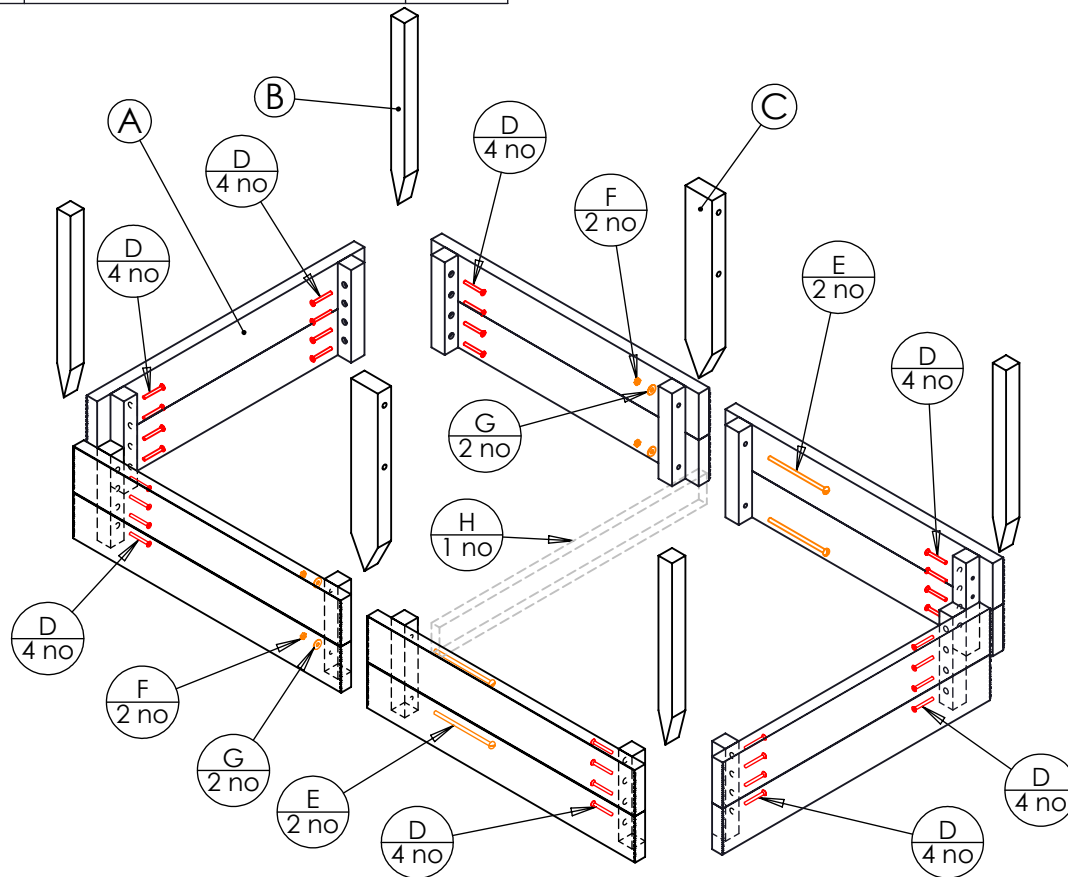
FOR RAISED BEDS BIGGER THAN 1x1m, i.e. 1x2m, 1x3m, 2x2m, 2x3m etc. CORNER AND JOINT POSTS NEED TO BE ANCHORED. IN SOME CASES (WIDER THAN 1m BED) TIES MAY ALSO BE REQUIRED. PLEASE TALK TO OUR ADVISOR.

IMPORTANT:-

Ensure that you are familiar with these assembly instructions prior to commencing assembly.

We will not accept any claims resulting from products that have been wrongly assembled.

Employ safe lifting procedures when handling components.



ASSEMBLE 50x50 ANCHORING CORNER POSTS INTO CORNERS BETWEEN END JOISTS

ASSEMBLE 100x50 ANCHORING JOINT POSTS BETWEEN LINEAR END JOISTS

Help and support:-

Please contact us using the telephone number or email address as stated on your shipping documents.

RAISED BED (BESPOKE)

Assembly Guide - 1 of 2

Unit 8C, Top Land Country Business Park
Cragg Road, Mytholmroyd, Hebden Bridge,
West Yorkshire, HX7 5RW
Freephone: 0808 281 2929
Mail: info@britishrecycledplastic.co.uk



PARTS LIST - 1 PERSON ASSEMBLY:-

A	PRE-ASSEMBLED SIDE PANEL	6 no.
B	50x50 ANCHORING CORNER POST	4 no.
C	100x50 ANCHORING JOINT POST	2 no.
D	70mm BRASS SCREWS	32 no.
E	220mm GALVANISED BOLTS	4 no.
F	NUT	4 no.
G	WASHER	4 no.
H	30x100 TIE (OPTIONAL)	1 no.

TOOLS:-

POWER DRILL WITH PHILIPS-HEAD BIT
FLAT HEAD SCREWDRIVER
10mm SPANNER

JOINTS AND STAKES ARE AVAILABLE WITH POINTS SHOULD YOU WISH TO ANCHOR YOUR RAISED BED TO THE GROUND.

WITH BEDS LONGER THAN 1 METRE, WE RECOMMEND ANCHORING THE JOINT.

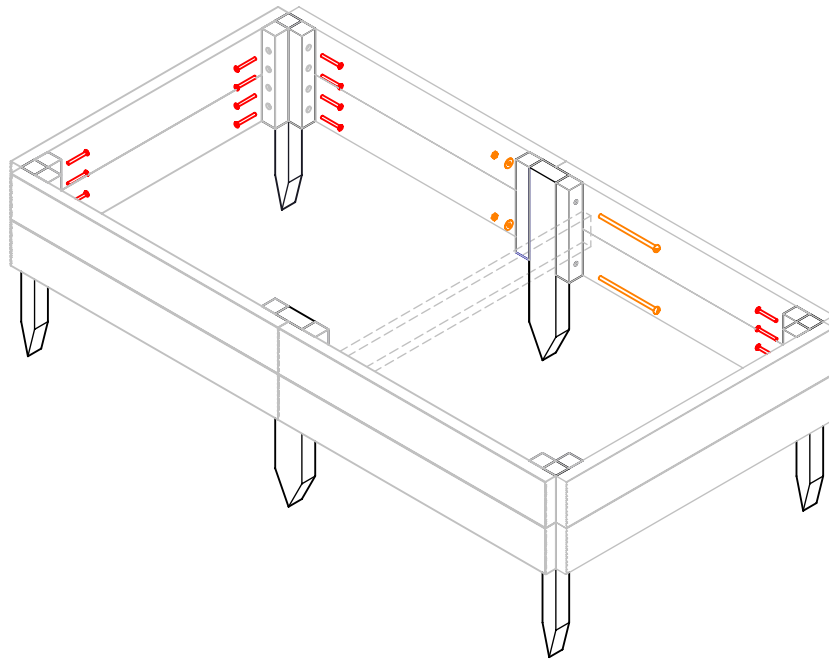
SPIKED JOINTS AND STAKES ARE REQUIRED WITH BEDS OVER 1 METRE LONG AND OVER 300mm HIGH.

IMPORTANT:-

Ensure that you are familiar with these assembly instructions prior to commencing assembly.

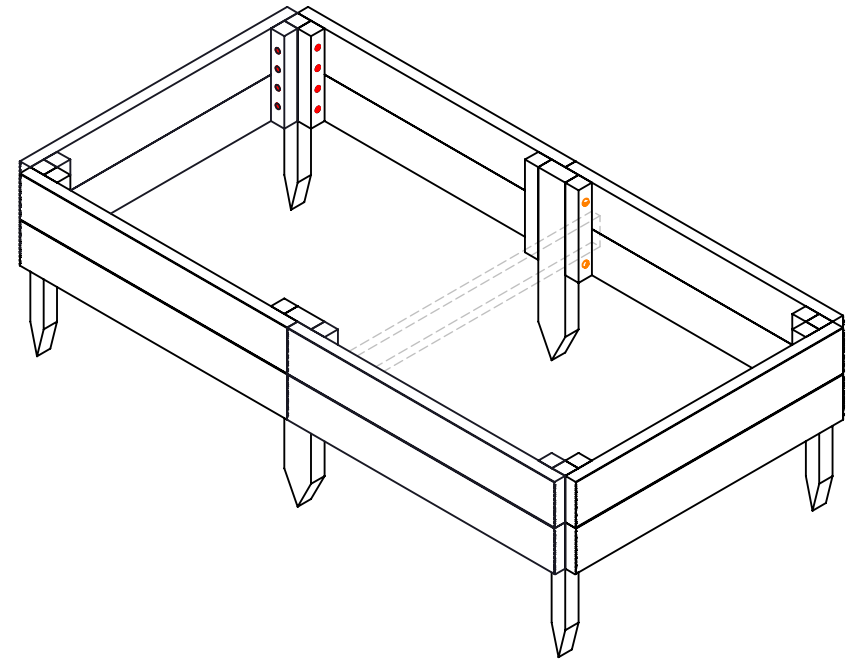
We will not accept any claims resulting from products that have been wrongly assembled.

Employ safe lifting procedures when handling components.



SCREW 70mm BRASS SCREWS THROUGH PRE-DRILLED HOLES IN CORNER JOISTS INTO 50x50 ANCHORING CORNER POSTS

SLIDE BOLTS THROUGH PRE-DRILLED HOLES IN END JOISTS AND THROUGH 100x50 ANCHORING JOINT POST, SECURING IN PLACE WITH NUT PROVIDED



SECURE ALL ANCHORING CORNER POSTS WITH SCREWS AND ALL ANCHORING JOINTS WITH BOLTS PROVIDED AND ASSEMBLY IS COMPLETE

Help and support:-

Please contact us using the telephone number or email address as stated on your shipping documents.

RAISED BED (BESPOKE)

Assembly Guide - 2 of 2

Unit 8C, Top Land Country Business Park
Cragg Road, Mytholmroyd, Hebden Bridge,
West Yorkshire, HX7 5RW
Freephone: 0808 281 2929
Mail: info@britishrecycledplastic.co.uk

