

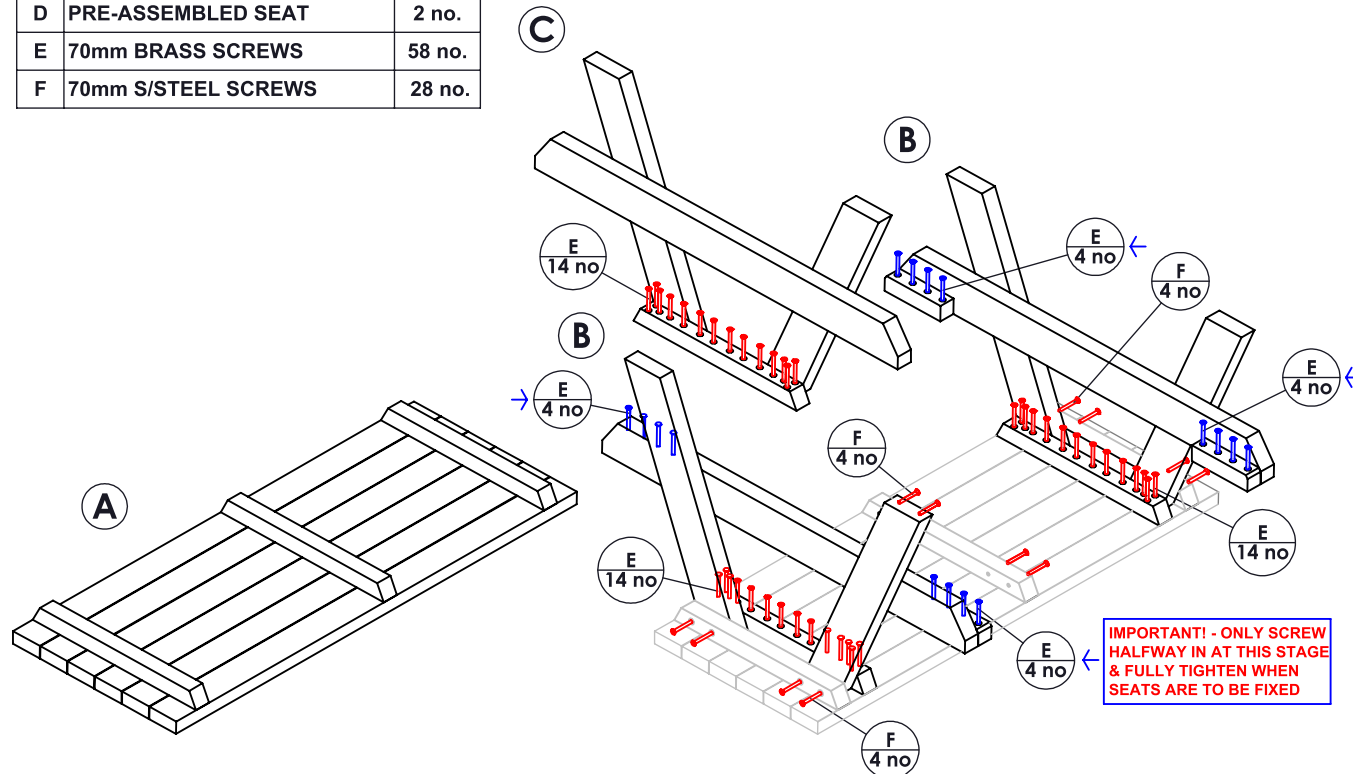
PARTS LIST - 2 PERSON ASSEMBLY:-

| | | |
|---|-------------------------|--------|
| A | PRE-ASSEMBLED TABLE TOP | 1 no. |
| B | END A-FRAME | 2 no. |
| C | MIDDLE A-FRAME | 1 no. |
| D | PRE-ASSEMBLED SEAT | 2 no. |
| E | 70mm BRASS SCREWS | 58 no. |
| F | 70mm S/STEEL SCREWS | 28 no. |

TOOLS:-

POWER DRILL WITH PHILIPS-HEAD BIT

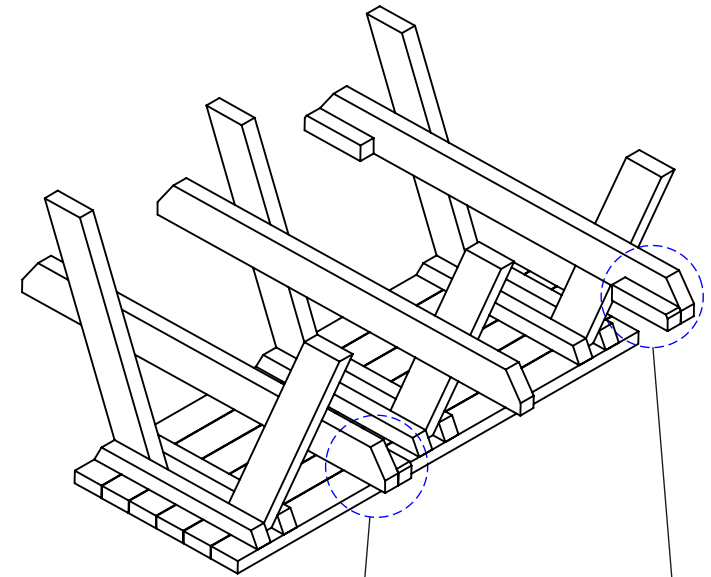
MEASURING TAPE & STRAIGHT EDGE



BEGIN ASSEMBLY WITH TABLETOP TURNED UPSIDE-DOWN.

FIX A-FRAMES TO TABLETOP USING 70mm SCREWS THROUGH PRE-DRILLED HOLES IN FIXING BARS.

BEFORE FULLY TIGHTENING ALL SCREWS, CHECK THAT THE SEATS ARE SQUARE BY MEASURING ACROSS THE DIAGONALS. BOTH DIAGONAL MEASUREMENTS SHOULD BE EQUAL.



ENSURE END A-FRAMES HAVE THE SEAT FIXING BLOCKS FACING INWARDS AS SHOWN

IMPORTANT:-

Ensure that you are familiar with these assembly instructions prior to commencing assembly.

We will not accept any claims resulting from products that have been wrongly assembled.

Employ safe lifting procedures when handling components.

Please contact us if you need any further help or information.

DENHOLME PICNIC TABLE**Assembly Guide - 1 of 2**

Unit 8C, Top Land Country Business Park
Cragg Road, Mytholmroyd, Hebden Bridge,
West Yorkshire, HX7 5RW
Phone: 01422 419 555
Mail: info@britishrecycledplastic.co.uk

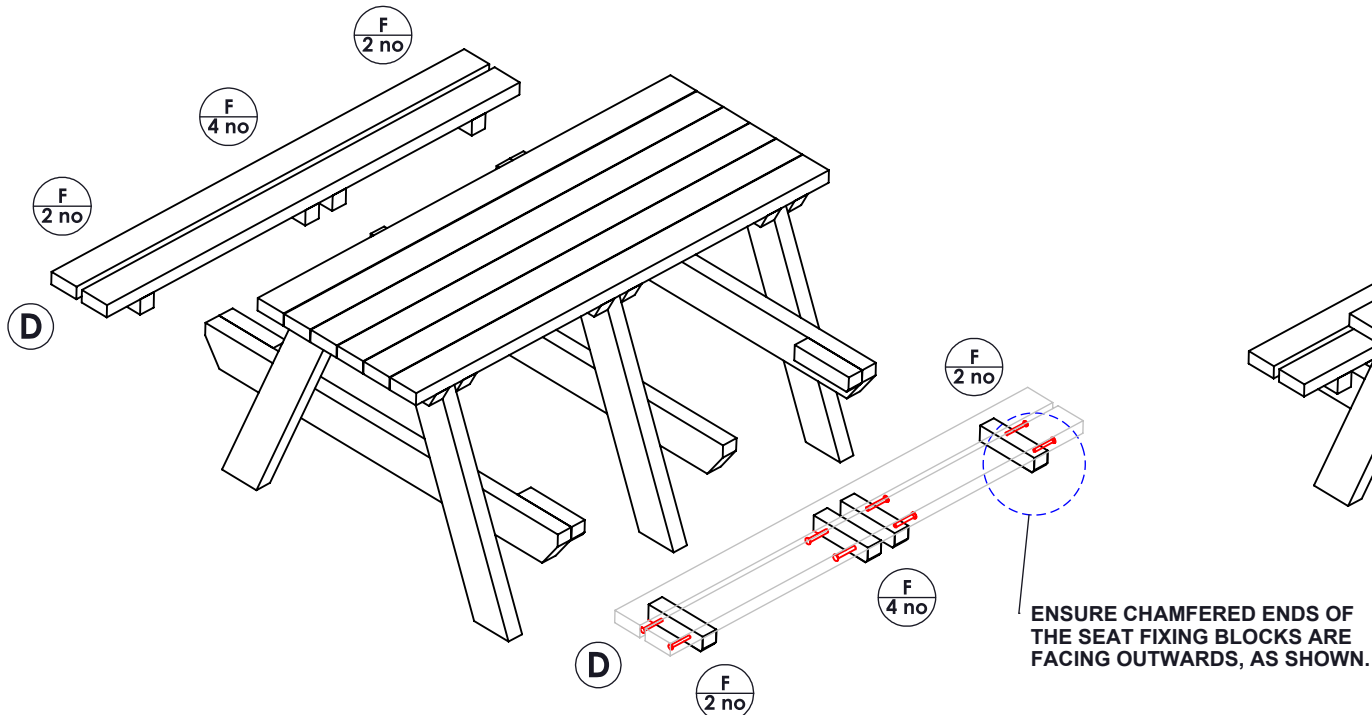
BRITISH
RECYCLED
PLASTIC



TOOLS:-

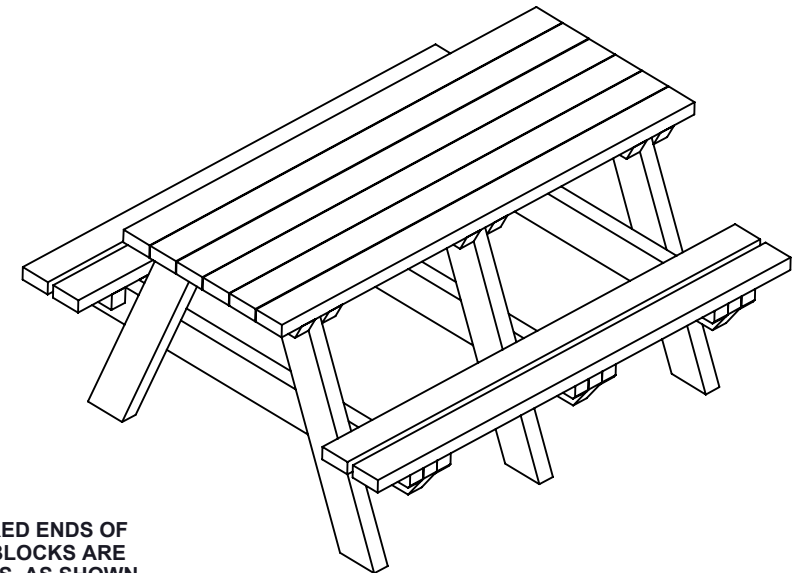
POWER DRILL WITH PHILIPS-HEAD BIT

MEASURING TAPE & STRAIGHT EDGE



TURN PICNIC TABLE OVER ONTO FEET AND FIX PRE-ASSEMBLED SEATS USING 70mm SCREWS THROUGH PRE-DRILLED HOLES IN SEAT FIXING BLOCKS.

IMPORTANT - ENSURE THAT THE 16 no BRASS SEAT FIXING SCREWS ARE NOW FULLY TIGHTENED - THESE ARE SHOWN ON PAGE 1 OF 2



BEFORE FULLY TIGHTENING ALL SCREWS, CHECK THAT THE SEATS ARE SQUARE BY MEASURING ACROSS THE DIAGONALS. BOTH DIAGONAL MEASUREMENTS SHOULD BE EQUAL.

Please contact us if you need any further help or information.

DENHOLME PICNIC TABLE**Assembly Guide - 2 of 2**

Unit 8C, Top Land Country Business Park
Cragg Road, Mytholmroyd, Hebden Bridge,
West Yorkshire, HX7 5RW
Phone: 01422 419 555
Mail: info@britishrecycledplastic.co.uk

BRITISH
RECYCLED
PLASTIC

