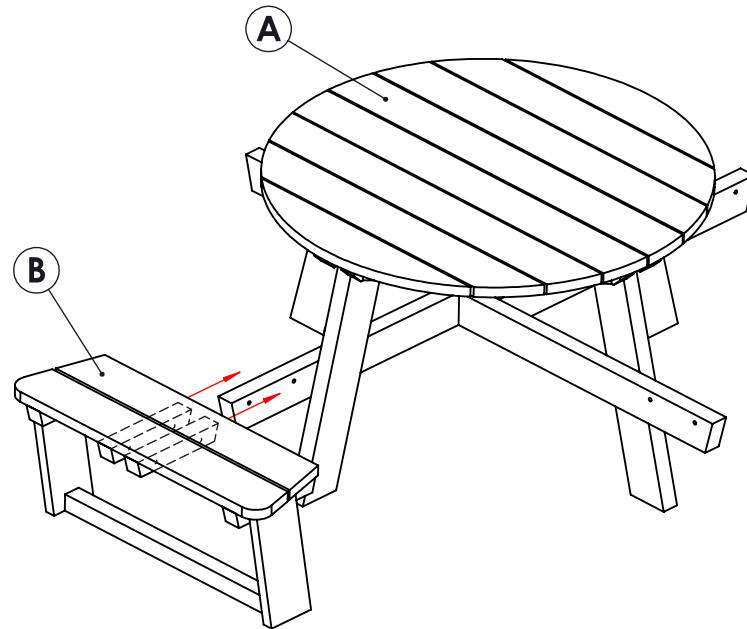


PARTS LIST - 2 PERSON ASSEMBLY:-		
A	PRE-ASSEMBLED TABLE + FRAME	1 no.
B	PRE-ASSEMBLED SEAT	4 no.
C	M10 x 160mm BOLT	8 no.
D	WASHER	8 no.
E	M10 NUT	8 no.
F	CAP	8 no.

TOOLS:-
MALLET
17mm SPANNER

BEFORE FULLY TIGHTENING ALL SCREWS, CHECK THAT THE SEATS ARE SQUARE BY MEASURING ACROSS THE DIAGONALS. BOTH DIAGONAL MEASUREMENTS SHOULD BE EQUAL.



POSITION TIES OF THE PRE-ASSEMBLED SEAT EITHER SIDE OF TABLE'S CROSS-FRAME.

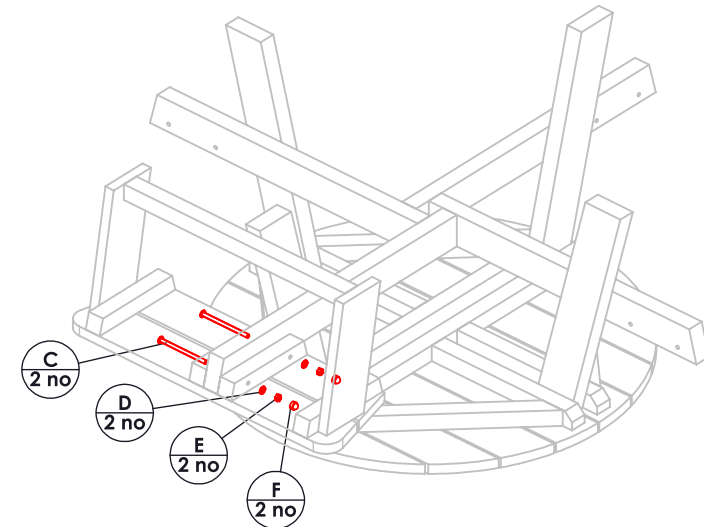


TABLE SHOWN UPSIDE DOWN FOR ILLUSTRATION PURPOSES ONLY.

USING A PROVIDED M10 x 160mm BOLT, FIX THE BOLT THROUGH THE PRE-DRILLED HOLES IN THE SEAT-TIE AND TABLE FRAME BRACES. ADD WASHER AND NUT AND TIGHTEN. COVER NUT WITH BLACK CAP.

**IMPORTANT:-**

Ensure that you are familiar with these assembly instructions prior to commencing assembly.

We will not accept any claims resulting from products that have been wrongly assembled.

Employ safe lifting procedures when handling components.

## CALDER PICNIC TABLE

Assembly Guide - 1 of 2

Unit 8C, Top Land Country Business Park  
Cragg Road, Mytholmroyd, Hebden Bridge,  
West Yorkshire, HX7 5RW  
Phone: 01422 419 555  
Mail: info@britishrecycledplastic.co.uk

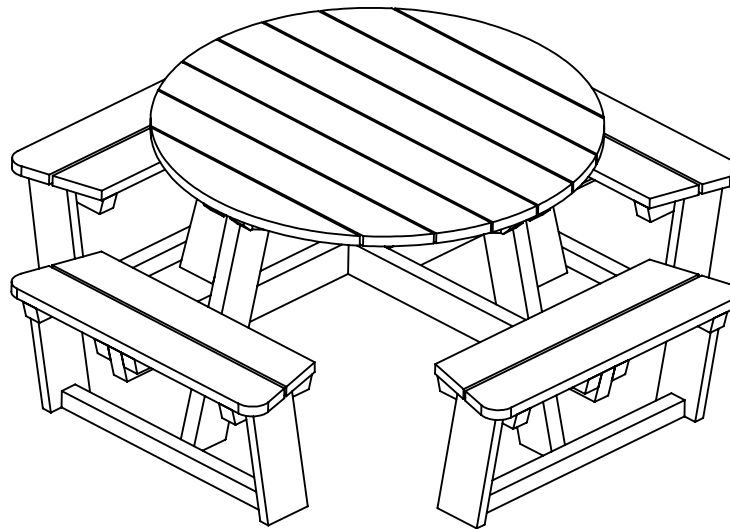
BRITISH  
RECYCLED  
PLASTIC 

**TOOLS:-****MALLET****17mm SPANNER****IMPORTANT:-**

Ensure that you are familiar with these assembly instructions prior to commencing assembly.

We will not accept any claims resulting from products that have been wrongly assembled.

Employ safe lifting procedures when handling components.



**SEAT ASSEMBLY SHOULD NOW BE  
REPEATED FOR THE REMAINING 3 SEATS.  
THIS COMPLETES THE ASSEMBLY.**

Please contact us if you need any further help or information.

**CALDER PICNIC TABLE****Assembly Guide - 2 of 2**

Unit 8C, Top Land Country Business Park  
Cragg Road, Mytholmroyd, Hebden Bridge,  
West Yorkshire, HX7 5RW  
Phone: 01422 419 555  
Mail: [info@britishrecycledplastic.co.uk](mailto:info@britishrecycledplastic.co.uk)

**BRITISH  
RECYCLED  
PLASTIC** 