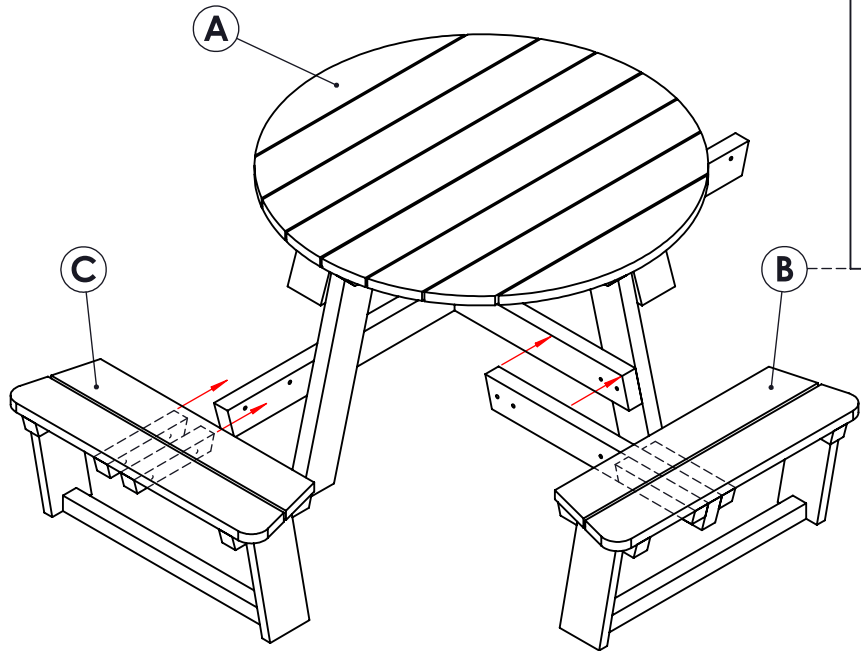


PARTS LIST - 2 PERSON ASSEMBLY:-

A	PRE-ASSEMBLED TABLE + FRAME	1 no.
B	PRE-ASSEMBLED ADJUSTABLE SEAT	2 no.
C	PRE-ASSEMBLED FIXED SEAT	2 no.
D	M10 x 160mm BOLT	8 no.
E	WASHER	8 no.
F	M10 NUT	8 no.
G	CAP	8 no.

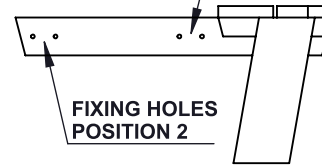
TOOLS:-

17mm SPANNER

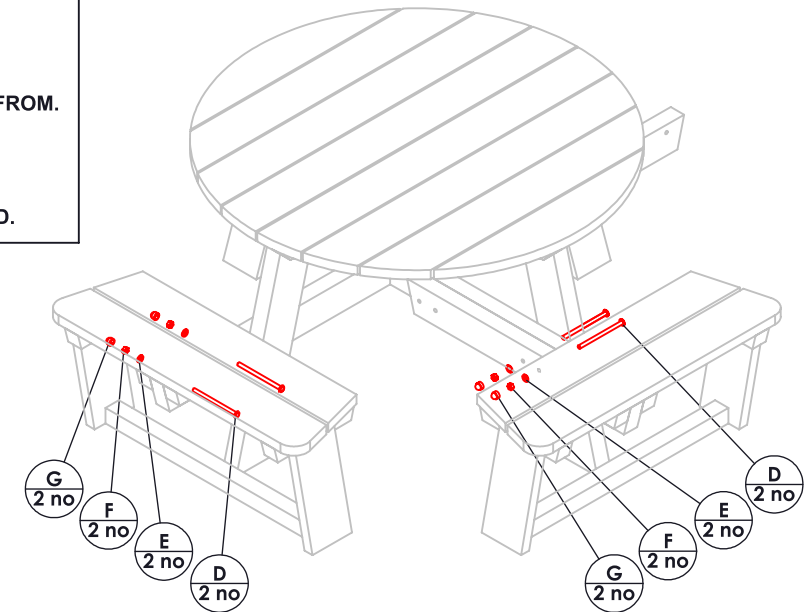


POSITION TIES OF FIXED SEAT "C"
EITHER SIDE OF TABLE'S
EXTENDED CROSS-FRAME.

POSITION BRACE OF ADJUSTABLE
SEAT "B" TO THE LEFT OF TABLE'S
SHORT CROSS-FRAME.

FIXING HOLES
POSITION 1FIXING HOLES
POSITION 2

THERE ARE 2 FIXING POSITIONS ON
THE ADJUSTABLE SEAT TO CHOOSE FROM.
POSITION 1 IS THE STANDARD SEAT
LOCATION CLOSE TO THE TABLE.
POSITION 2 IS TO ACCOMMODATE
SOCIAL DISTANCING WHEN REQUIRED.



USING THE PROVIDED M10 x 160mm BOLT,
FIX A BOLT THROUGH THE PRE-DRILLED
HOLES IN THE TABLE LEG AND SEAT
BRACE. ADD WASHER AND NUT AND
TIGHTEN UP. COVER NUT WITH BLACK CAP.

IMPORTANT:-

Ensure that you are familiar with these assembly instructions prior to commencing assembly.

We will not accept any claims resulting from products that have been wrongly assembled.

Employ safe lifting procedures when handling components.

Please contact us if you need any further help or information.

CALDER PLUS PICNIC TABLE**Assembly Guide - 1 of 2**

Unit 8C, Top Land Country Business Park
Cragg Road, Mytholmroyd, Hebden Bridge,
West Yorkshire, HX7 5RW
Phone: 01422 419 555
Mail: info@britishrecycledplastic.co.uk

BRITISH
RECYCLED
PLASTIC



TOOLS:-

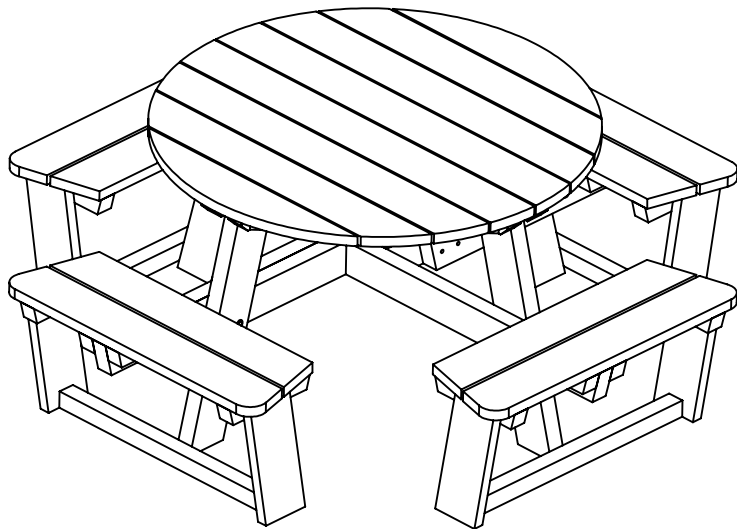
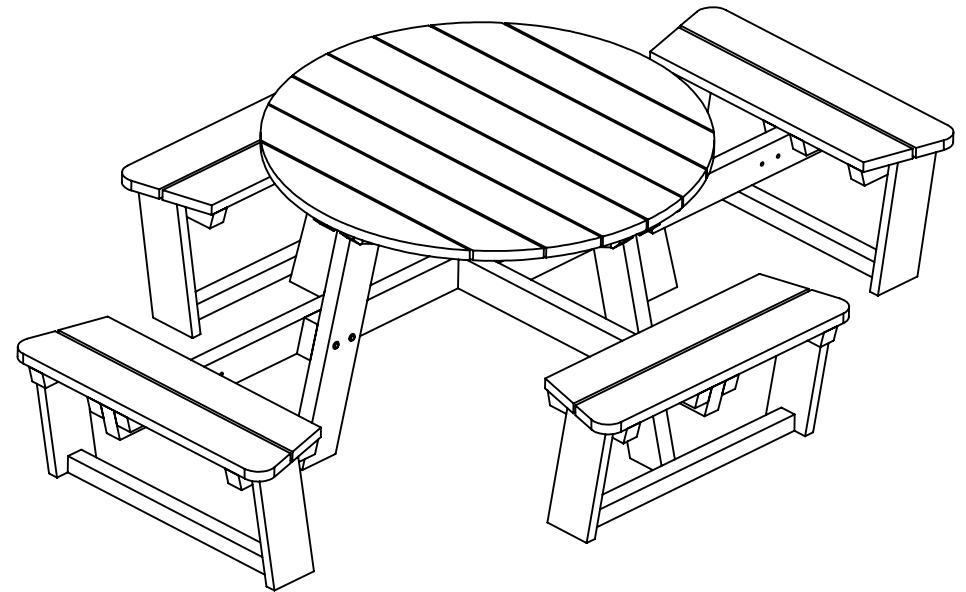
17mm SPANNER

IMPORTANT:-

Ensure that you are familiar with these assembly instructions prior to commencing assembly.

We will not accept any claims resulting from products that have been wrongly assembled.

Employ safe lifting procedures when handling components.

**SEAT POSITION 1****SEAT POSITION 2**

SEAT ASSEMBLY SHOULD NOW BE REPEATED FOR THE REMAINING SEATS, THIS COMPLETES THE TABLE ASSEMBLY.

Please contact us if you need any further help or information.

CALDER PLUS PICNIC TABLE**Assembly Guide - 2 of 2**

Unit 8C, Top Land Country Business Park
Cragg Road, Mytholmroyd, Hebden Bridge,
West Yorkshire, HX7 5RW
Phone: 01422 419 555
Mail: info@britishrecycledplastic.co.uk

**BRITISH
RECYCLED
PLASTIC**

