

PARTS LIST - 2 PERSON ASSEMBLY:-

A	SEAT SECTION	1 no.
B	LEG SECTIONS	3 no.
C	70MM STAINLESS STEEL SCREWS	12 no.

TOOLS:-

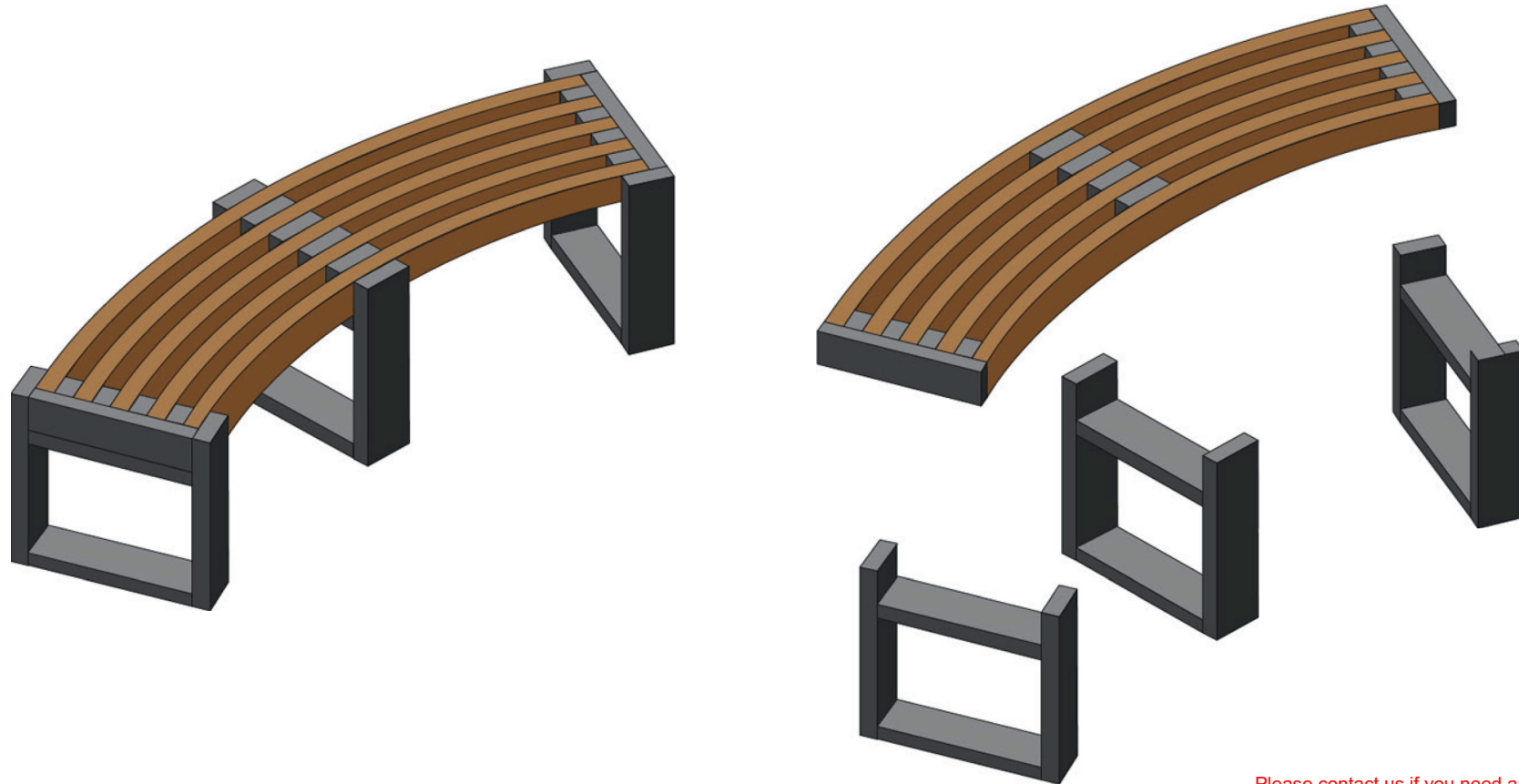
POWER DRILL WITH PHILIPS-HEAD BIT
MEASURING TAPE
STRAIGHT EDGE

IMPORTANT:-

Ensure that you are familiar with these assembly instructions prior to commencing assembly.

We will not accept any claims resulting from products that have been wrongly assembled.

Employ safe lifting procedures when handling components.



Please contact us if you need any further help or information.

SKIPTON CURVE BENCH**Assembly Guide - 1 of 2**

Unit 8C, Top Land Country Business Park
Cragg Road, Mytholmroyd, Hebden Bridge,
West Yorkshire, HX7 5RW
Phone: 01422 419 555
Mail: info@britishrecycledplastic.co.uk

**BRITISH
RECYCLED
PLASTIC**



PARTS LIST - 2 PERSON ASSEMBLY:-		
A	SEAT SECTION	1 no.
B	LEG SECTIONS	3 no.
C	70MM STAINLESS STEEL SCREWS	12 no.

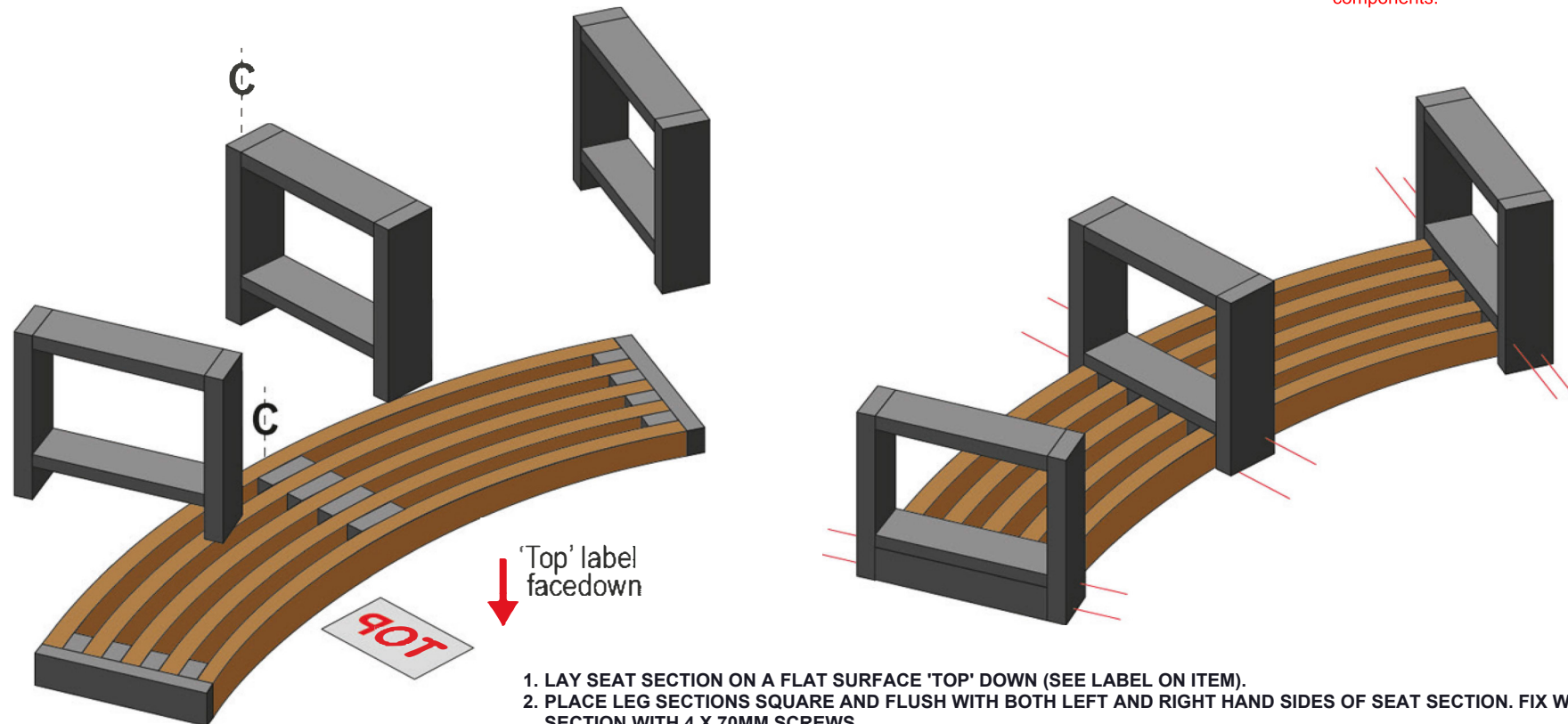
TOOLS:-	
POWER DRILL WITH PHILIPS-HEAD BIT	
MEASURING TAPE	
STRAIGHT EDGE	

IMPORTANT:-

Ensure that you are familiar with these assembly instructions prior to commencing assembly.

We will not accept any claims resulting from products that have been wrongly assembled.

Employ safe lifting procedures when handling components.



1. LAY SEAT SECTION ON A FLAT SURFACE 'TOP' DOWN (SEE LABEL ON ITEM).
2. PLACE LEG SECTIONS SQUARE AND FLUSH WITH BOTH LEFT AND RIGHT HAND SIDES OF SEAT SECTION. FIX WITH EACH LEG SECTION WITH 4 X 70MM SCREWS.
3. LINE UP CENTRE LEG WITH CENTRE TIES OF SEAT SECTION, ENSURE IT IS FLUSH AND SQUARE. FIX WITH 4 X 70MM SCREWS.

Please contact us if you need any further help or information.

SKIPTON CURVE BENCH

Assembly Guide - 2 of 2

Unit 8C, Top Land Country Business Park
Cragg Road, Mytholmroyd, Hebden Bridge,
West Yorkshire, HX7 5RW
Phone: 01422 419 555
Mail: info@britishrecycledplastic.co.uk

BRITISH
RECYCLED
PLASTIC 