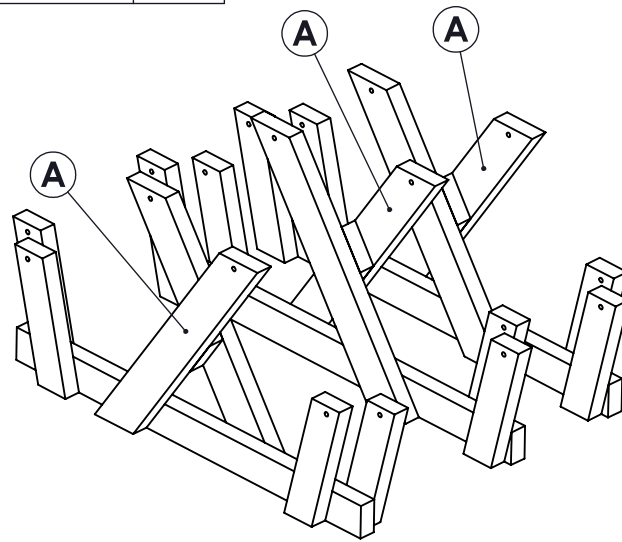
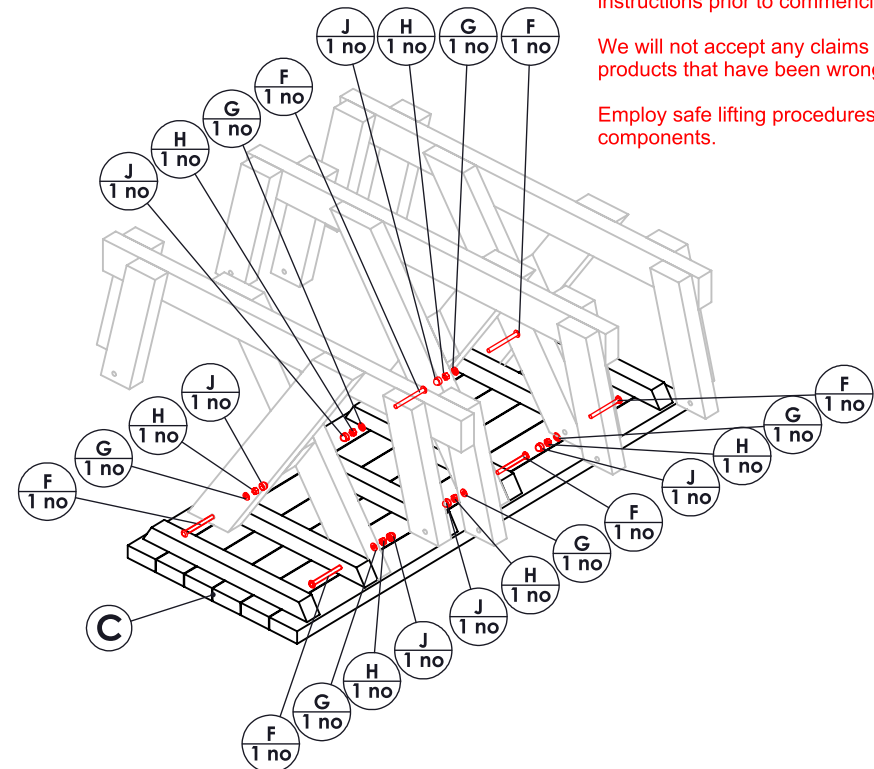


**PARTS LIST - 2 PERSON ASSEMBLY:-**

A	FRAME	3 no.
C	PRE-ASSEMBLED TABLE TOP	1 no.
D	PRE-ASSEMBLED SEAT	2 no.
F	M10 x 110mm BOLT	18 no.
G	WASHER	18 no.
H	NUT	18 no.
J	CAP	18 no.

**TOOLS:-****POWER DRILL WITH PHILIPS-HEAD BIT****17mm SPANNER**

**BEGIN ASSEMBLY WITH THE 3 FRAMES**



**TABLE SHOWN UPSIDE DOWN FOR ILLUSTRATION PURPOSES ONLY**

**LOWER THE PRE-ASSEMBLED TABLE TOP ONTO THE FRAME. USING A PROVIDED M10 x 110mm BOLT, FIX THE BOLT THROUGH PRE-DRILLED HOLES IN THE FRAME AND TABLE TOP, ADD WASHER AND NUT AND TIGHTEN UP. COVER NUT WITH BLACK CAP**

**IMPORTANT:-**

Ensure that you are familiar with these assembly instructions prior to commencing assembly.

We will not accept any claims resulting from products that have been wrongly assembled.

Employ safe lifting procedures when handling components.

Please take care to install your furniture on level ground to ensure it looks its best for decades to come.  
Please note that all dimensions are subject to a tolerance of + or - 3%

Please contact us if you need any further help or information.

# BATLEY WALKTROUGH

## Assembly Guide - 1 of 2

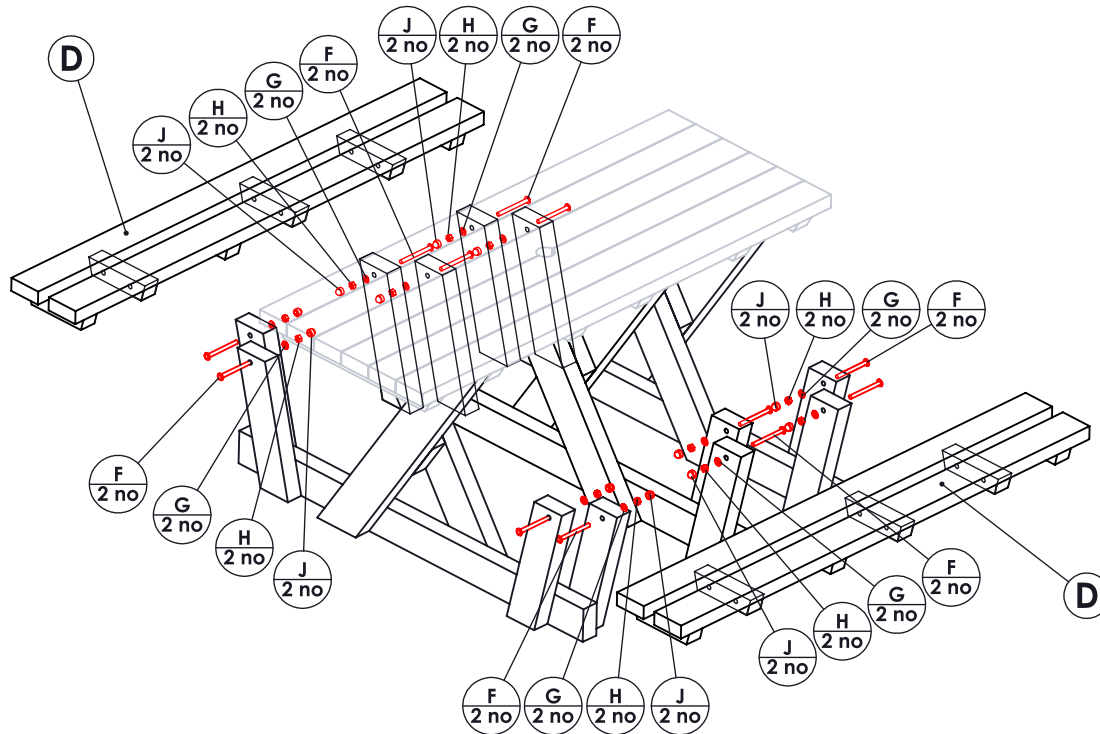
Unit 8F, Top Land Country Business Park  
Cragg Road, Mytholmroyd, Hebden Bridge,  
West Yorkshire, HX7 5RW  
Phone: 01422 419 555  
Mail: [info@britishrecycledplastic.co.uk](mailto:info@britishrecycledplastic.co.uk)

BRITISH  
RECYCLED  
PLASTIC



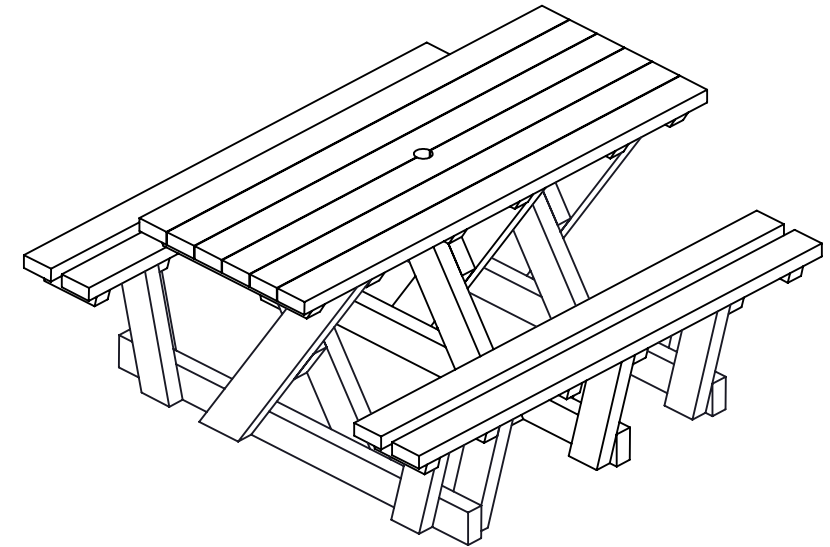
**TOOLS:-**

17mm SPANNER



LOWER THE PRE-ASSEMBLED SEAT ONTO THE FRAME  
AND ALIGN THE HOLES OF THE SEAT TIES WITH THE  
HOLES ON THE SEAT SUPPORTS

USE M10 x 110mm BOLTS TO SECURE EACH CORNER  
OF THE SEAT, ADD WASHER AND NUT AND TIGHTEN UP.  
COVER NUT WITH BLACK CAP TO FINISH



THIS COMPLETES THE TABLE ASSEMBLY

**IMPORTANT:-**

Ensure that you are familiar with these assembly instructions prior to commencing assembly.

We will not accept any claims resulting from products that have been wrongly assembled.

Employ safe lifting procedures when handling components.

Please take care to install your furniture on level ground to ensure it looks its best for decades to come.  
Please note that all dimensions are subject to a tolerance of + or - 3%

Please contact us if you need any further help or information.

# BATLEY WALKTROUGH

## Assembly Guide - 2 of 2

Unit 8F, Top Land Country Business Park  
Cragg Road, Mytholmroyd, Hebden Bridge,  
West Yorkshire, HX7 5RW  
Phone: 01422 419 555  
Mail: [info@britishrecycledplastic.co.uk](mailto:info@britishrecycledplastic.co.uk)

BRITISH  
RECYCLED  
PLASTIC

