

PARTS LIST - 2 PERSON ASSEMBLY:-		
A	PRE-ASSEMBLED TABLE TOP	1 no.
B	END A-FRAME	1 no.
C	MIDDLE A-FRAME	1 no.
C1	CUT END A-FRAME	1 no.
D	PRE-ASSEMBLED SEAT	1 no.
D1	PRE-ASSEMBLED SEAT (600)	1 no.
E	70mm BRASS SCREWS	48 no.
F	70mm S/STEEL SCREWS	24 no.

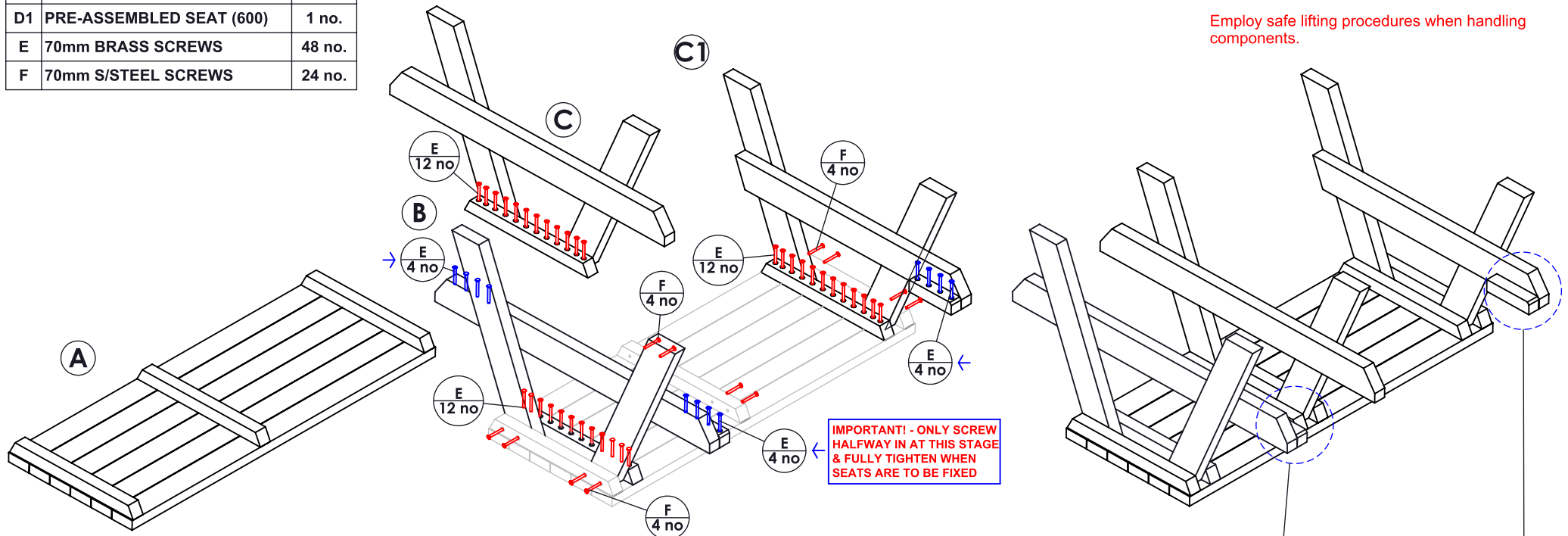
TOOLS:-	
POWER DRILL WITH PHILIPS-HEAD BIT	
MEASURING TAPE & STRAIGHT EDGE	

**IMPORTANT:-**

Ensure that you are familiar with these assembly instructions prior to commencing assembly.

We will not accept any claims resulting from products that have been wrongly assembled.

Employ safe lifting procedures when handling components.



BEGIN ASSEMBLY WITH TABLE TOP TURNED UPSIDE DOWN

FIX A-FRAMES TO TABLE TOP USING 70mm SCREWS THROUGH PRE-DRILLED HOLES IN FIXING BARS

BEFORE FULLY TIGHTENING ALL SCREWS CHECK THAT THE PICNIC TABLE IS SQUARE BY MEASURING ACROSS THE DIAGONALS

**IMPORTANT! - ONLY SCREW HALFWAY IN AT THIS STAGE & FULLY TIGHTEN WHEN SEATS ARE TO BE FIXED**

ENSURE END A-FRAMES HAVE THE SEAT FIXING BLOCKS FACING INWARDS AS SHOWN

Please take care to install your furniture on level ground to ensure it looks its best for decades to come.  
Please note that all dimensions are subject to a tolerance of + or - 3%

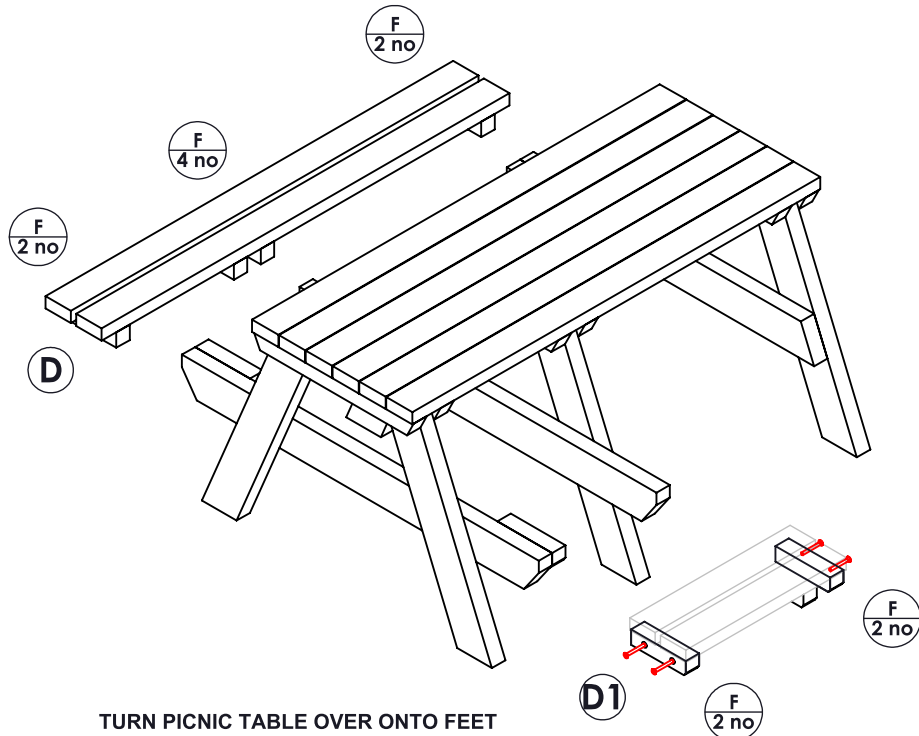
Please contact us if you need any further help or information.

# BRADSHAW PICNIC TABLE

## Assembly Guide - 1 of 2

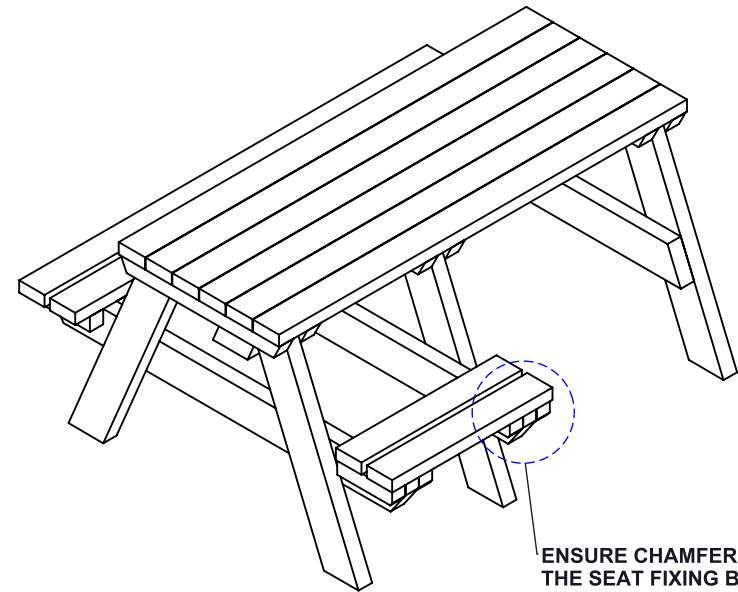
Unit 8F, Top Land Country Business Park  
Cragg Road, Mytholmroyd, Hebden Bridge,  
West Yorkshire, HX7 5RW  
Phone: 01422 419 555  
Mail: info@britishrecycledplastic.co.uk



**TOOLS:-****POWER DRILL WITH PHILIPS-HEAD BIT****MEASURING TAPE & STRAIGHT EDGE**

TURN PICNIC TABLE OVER ONTO FEET  
& FIX PRE-ASSEMBLED SEATS USING 70mm  
SCREWS THROUGH PRE-DRILLED HOLES  
IN SEAT FIXING BLOCKS

**IMPORTANT - ENSURE THAT THE 20 no BRASS SEAT  
FIXING SCREWS ARE NOW FULLY TIGHTENED - THESE  
ARE SHOWN ON PAGE 1 OF 2**



ENSURE CHAMFERED ENDS OF  
THE SEAT FIXING BLOCKS ARE  
FACING OUTWARDS AS SHOWN

BEFORE FULLY TIGHTENING ALL SCREWS  
CHECK THAT THE SEATS ARE SQUARE

**IMPORTANT:-**

Ensure that you are familiar with these assembly instructions prior to commencing assembly.

We will not accept any claims resulting from products that have been wrongly assembled.

Employ safe lifting procedures when handling components.

Please take care to install your furniture on level ground to ensure it looks its best for decades to come.  
Please note that all dimensions are subject to a tolerance of + or - 3%

Please contact us if you need any further help or information.

**BRADSHAW PICNIC TABLE****Assembly Guide - 2 of 2**

Unit 8F, Top Land Country Business Park  
Cragg Road, Mytholmroyd, Hebden Bridge,  
West Yorkshire, HX7 5RW  
Phone: 01422 419 555  
Mail: info@britishrecycledplastic.co.uk

BRITISH  
RECYCLED  
PLASTIC

