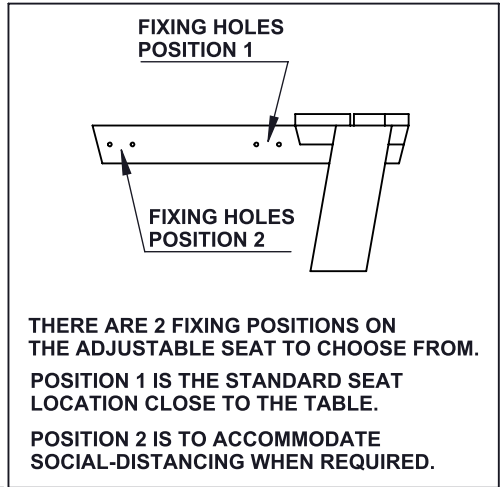
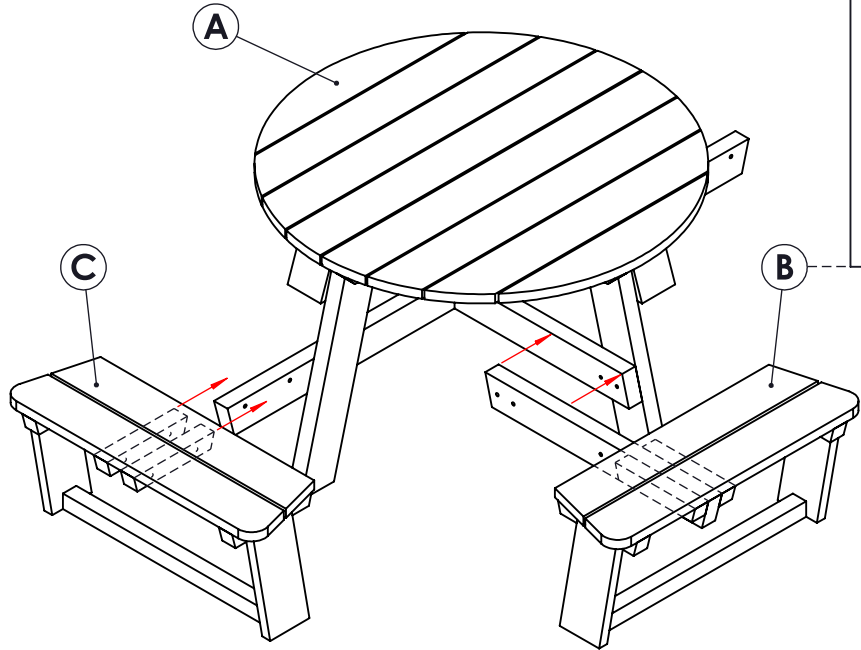


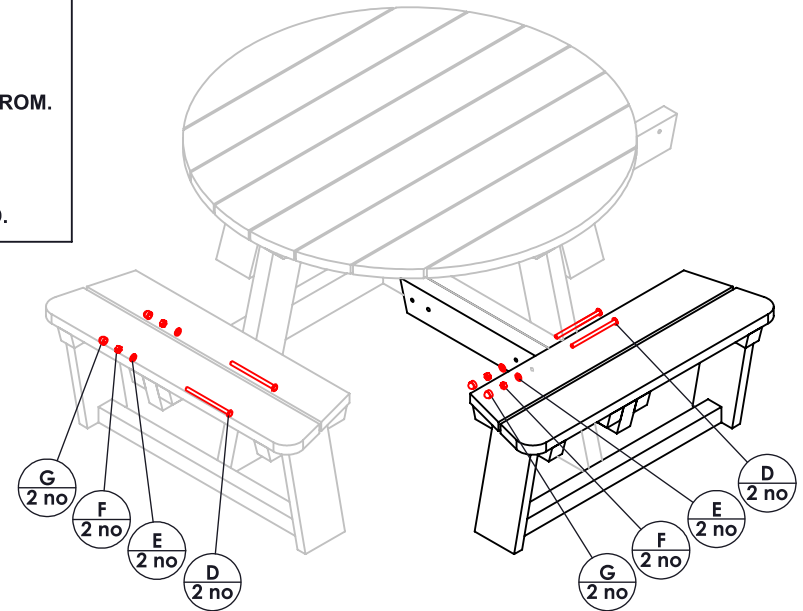
PARTS LIST - 2 PERSON ASSEMBLY:-		
A	PRE-ASSEMBLED TABLE + FRAME	1 no.
B	PRE-ASSEMBLED ADJUSTABLE SEAT	2 no.
C	PRE-ASSEMBLED FIXED SEAT	2 no.
D	M10 x 160mm BOLT	8 no.
E	WASHER	8 no.
F	M10 NUT	8 no.
G	CAP	8 no.

TOOLS:-
17mm SPANNER



POSITION TIES OF FIXED SEAT "C" EITHER SIDE OF TABLE'S EXTENDED CROSS-FRAME.

POSITION BRACE OF ADJUSTABLE SEAT "B" TO THE LEFT OF TABLE'S SHORT CROSS-FRAME.



USING THE PROVIDED M10 x 160mm BOLT, FIX A BOLT THROUGH THE PRE-DRILLED HOLES IN THE TABLE LEG AND SEAT BRACE, ADD WASHER AND NUT AND TIGHTEN UP, COVER NUT WITH BLACK CAP.

IMPORTANT:-

Ensure that you are familiar with these assembly instructions prior to commencing assembly.

We will not accept any claims resulting from products that have been wrongly assembled.

Employ safe lifting procedures when handling components.

Please take care to install your furniture on level ground to ensure it looks its best for decades to come.
 Please note that all dimensions are subject to a tolerance of + or - 3%

Please contact us if you need any further help or information.

CALDER PLUS PICNIC TABLE

Assembly Guide - 1 of 2

Unit 8F, Top Land Country Business Park
 Cragg Road, Mytholmroyd, Hebden Bridge,
 West Yorkshire, HX7 5RW
 Phone: 01422 419 555
 Mail: info@britishrecycledplastic.co.uk

BRITISH
 RECYCLED
 PLASTIC



TOOLS:-

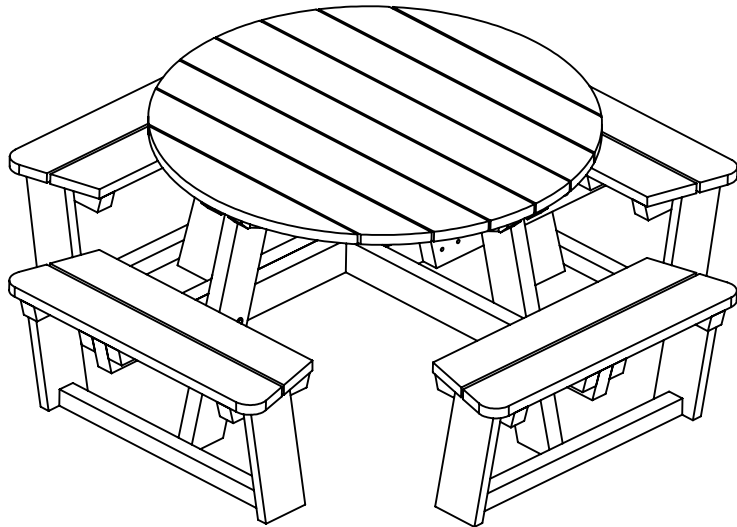
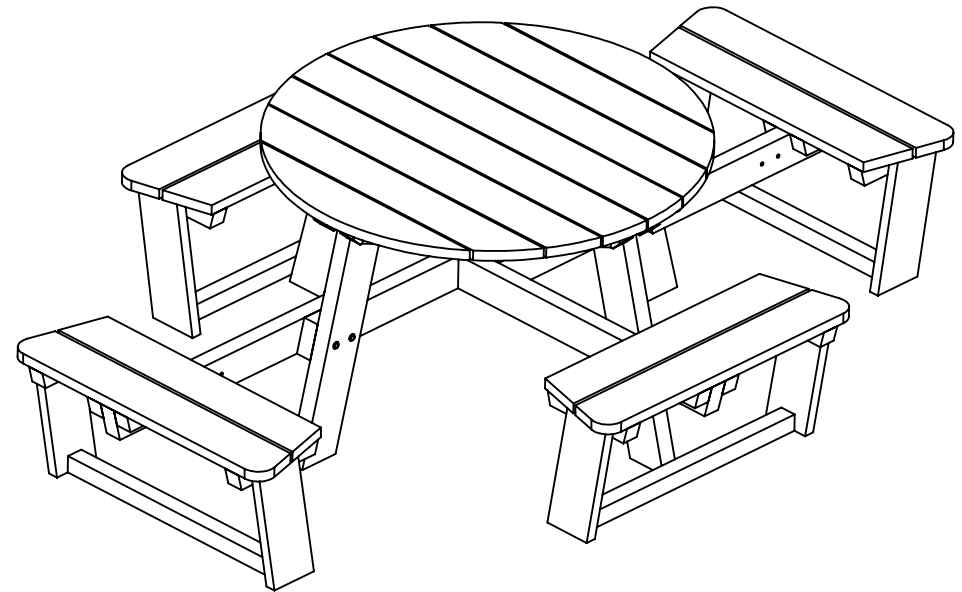
17mm SPANNER

IMPORTANT:-

Ensure that you are familiar with these assembly instructions prior to commencing assembly.

We will not accept any claims resulting from products that have been wrongly assembled.

Employ safe lifting procedures when handling components.

**SEAT POSITION 1****SEAT POSITION 2**

SEAT ASSEMBLY SHOULD NOW BE REPEATED FOR THE REMAINING SEATS, THIS COMPLETES THE TABLE ASSEMBLY.

Please take care to install your furniture on level ground to ensure it looks its best for decades to come.
Please note that all dimensions are subject to a tolerance of + or - 3%

Please contact us if you need any further help or information.

CALDER PLUS PICNIC TABLE**Assembly Guide - 2 of 2**

Unit 8F, Top Land Country Business Park
Cragg Road, Mytholmroyd, Hebden Bridge,
West Yorkshire, HX7 5RW
Phone: 01422 419 555
Mail: info@britishrecycledplastic.co.uk

**BRITISH
RECYCLED
PLASTIC**

