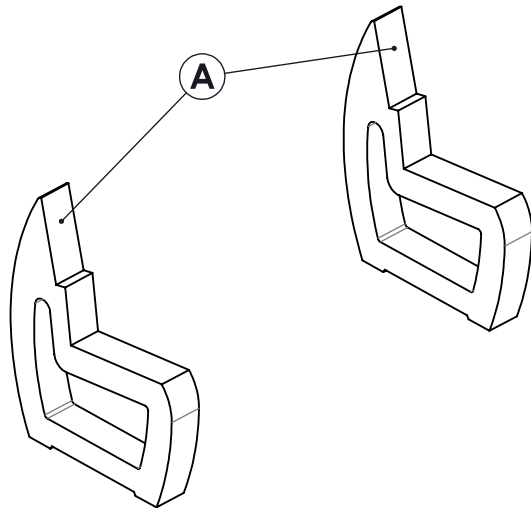


PARTS LIST - 2 PERSON ASSEMBLY:-

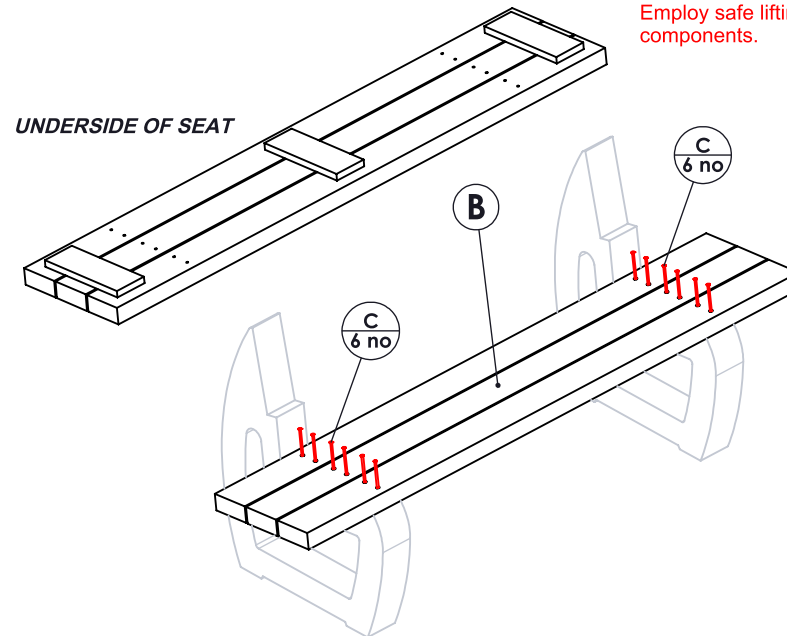
A	MOULDED LEG FRAMES	2 no.
B	3 SLAT SEAT SEMI-ASSEMBLED	1 no.
C	80mm S/STEEL SCREWS	20 no.
D	2 SLAT BACKREST SEMI-ASSEMBLED	1 no.

CC

POWER DRILL WITH PHILIPS-HEAD BIT
MEASURING TAPE & STRAIGHT EDGE



**POSITION THE 2 MOULDED LEG FRAMES
ON A FLAT AND LEVEL SURFACE**



**POSITION THE FINISHED SEAT SECTION ONTO THE LEG
FRAMES WITH THE OFFSET HOLES AT THE FRONT.
APPLY A 10mm OVERHANG AT FRONT OF SEAT, THEN
ENSURE THE PRE-DRILLED HOLES LINE UP WITH THE
CENTRE OF THE LEG FRAMES. FIX WITH 12 x 80mm
S/STEEL SCREWS**

IMPORTANT:-

Ensure that you are familiar with these assembly instructions prior to commencing assembly.

We will not accept any claims resulting from products that have been wrongly assembled.

Employ safe lifting procedures when handling components.

Please take care to install your furniture on level ground to ensure it looks its best for decades to come.
Please note that all dimensions are subject to a tolerance of + or - 3%

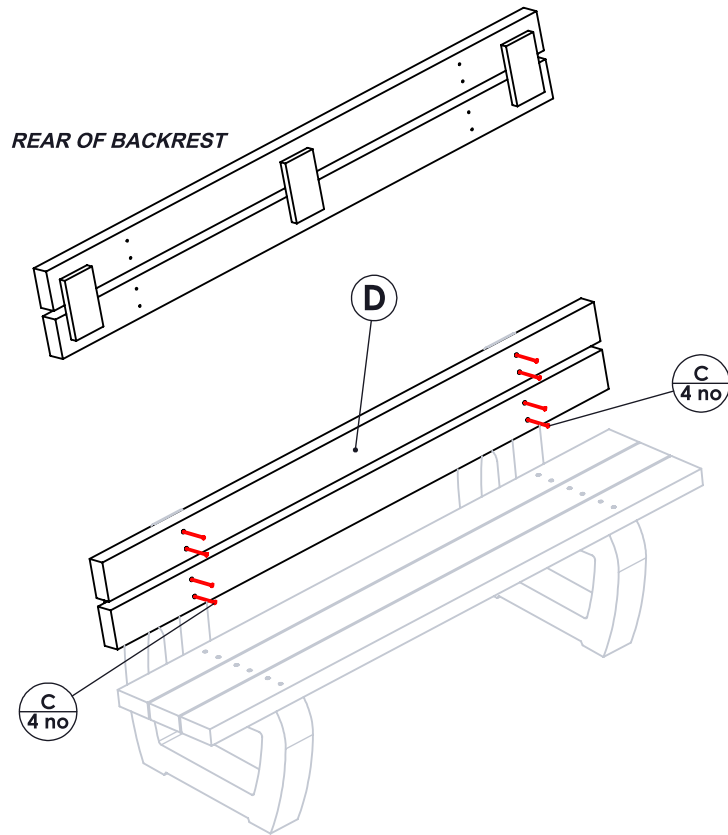
Please contact us if you need any further help or information.

HAREWOOD BENCH**Assembly Guide - sheet 1 of 2**

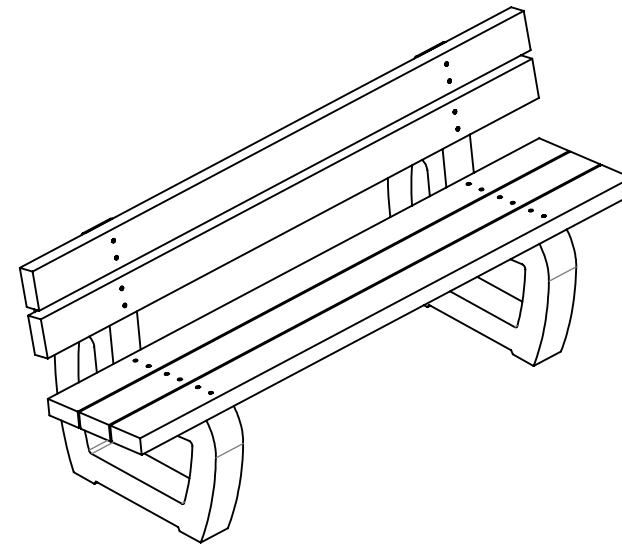
Unit 8F, Top Land Country Business Park
Cragg Road, Mytholmroyd, Hebden Bridge,
West Yorkshire, HX7 5RW
Phone: 01422 419 555
Mail: info@britishrecycledplastic.co.uk

**BRITISH
RECYCLED
PLASTIC**





POSITION THE BACKREST ASSEMBLY ONTO LEG FRAMES WITH THE OFFSET HOLES AT THE TOP. ENSURE THE PRE-DRILLED HOLES LINE UP WITH THE CENTRE OF THE LEG FRAMES, MATCHING THE SEAT ASSEMBLY. FIX WITH 8 x 80mm S/STEEL SCREWS



THIS COMPLETES THE BENCH ASSEMBLY

IMPORTANT:-

Ensure that you are familiar with these assembly instructions prior to commencing assembly.

We will not accept any claims resulting from products that have been wrongly assembled.

Employ safe lifting procedures when handling components.

Please take care to install your furniture on level ground to ensure it looks its best for decades to come.
Please note that all dimensions are subject to a tolerance of + or - 3%

Please contact us if you need any further help or information.

HAREWOOD BENCH

Assembly Guide - sheet 2 of 2

Unit 8F, Top Land Country Business Park
Cragg Road, Mytholmroyd, Hebden Bridge,
West Yorkshire, HX7 5RW
Phone: 01422 419 555
Mail: info@britishrecycledplastic.co.uk

BRITISH
RECYCLED
PLASTIC 