

PARTS LIST - 2 PERSON ASSEMBLY:-

A	X-FRAME	2 no.
B	CROSS SUPPORT	2 no.
C	PRE-ASSEMBLED TABLE TOP	1 no.
D	PRE-ASSEMBLED SEAT	2 no.
E	BOTTOM BRACER	2 no.
F	90mm S/STEEL SCREW	4 no.
G	M10 x 110mm BOLT	8 no.

H	WASHER	16 no.
J	NUT	16 no.
K	CAP	16 no.
L	M10 x 90mm BOLT	8 no.

TOOLS:-

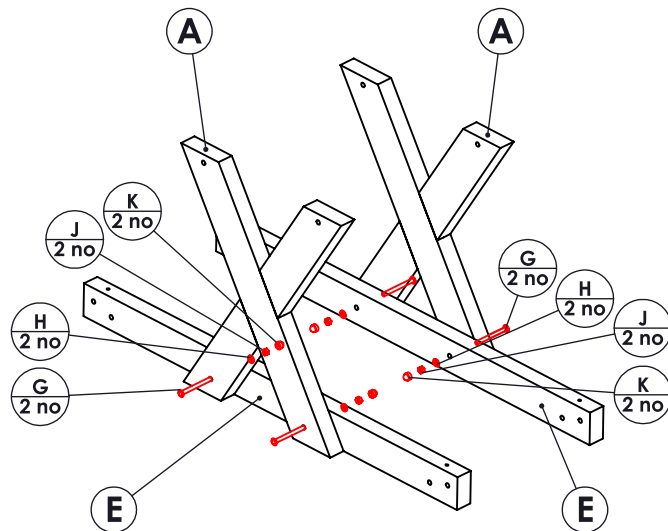
POWER DRILL WITH PHILIPS-HEAD BIT
17mm SPANNER

IMPORTANT:-

Ensure that you are familiar with these assembly instructions prior to commencing assembly.

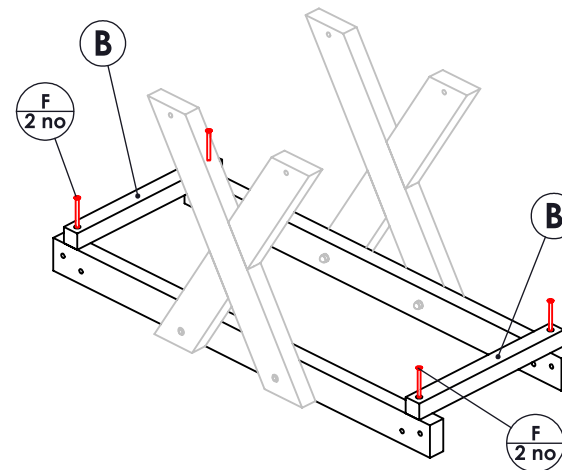
We will not accept any claims resulting from products that have been wrongly assembled.

Employ safe lifting procedures when handling components.



BEGIN ASSEMBLY BY ATTACHING THE X-FRAME TO THE BOTTOM BRACER

POSITION COMPONENTS AS SHOWN AND FIX M10 x 110mm BOLT THROUGH THE PRE-DRILLED HOLES IN THE X-FRAME AND BOTTOM BRACER, ADD WASHER AND NUT AND TIGHTEN UP, COVER NUT WITH BLACK CAP



POSITION THE CROSS SUPPORTS BETWEEN THE BOTTOM BRACERS AND IN LINE WITH THE PRE-DRILLED HOLES, THEN FIX IN PLACE USING 90mm SCREWS

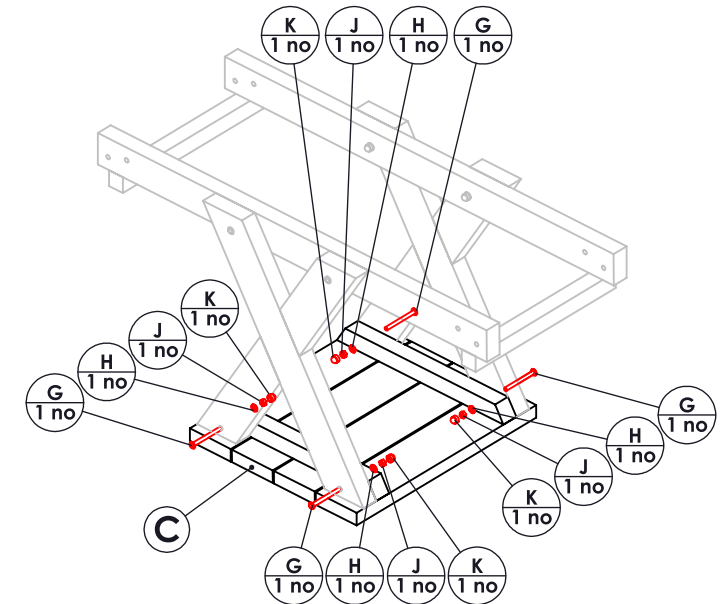


TABLE SHOWN UPSIDE DOWN FOR ILLUSTRATION PURPOSES ONLY

LOWER THE PRE-ASSEMBLED TABLE TOP ONTO THE FRAME. USING A PROVIDED M10 x 110mm BOLT, FIX THE BOLT THROUGH PRE-DRILLED HOLES IN THE X-FRAME AND TABLE TOP, ADD WASHER AND NUT AND TIGHTEN UP. COVER NUT WITH BLACK CAP

Please take care to install your furniture on level ground to ensure it looks its best for decades to come.
Please note that all dimensions are subject to a tolerance of + or - 3%

Please contact us if you need any further help or information.

WAINSGATE PICNIC TABLE

Assembly Guide - 1 of 2

Unit 8F, Top Land Country Business Park
Cragg Road, Mytholmroyd, Hebden Bridge,
West Yorkshire, HX7 5RW
Phone: 01422 419 555
Mail: info@britishrecycledplastic.co.uk

BRITISH
RECYCLED
PLASTIC



TOOLS:-

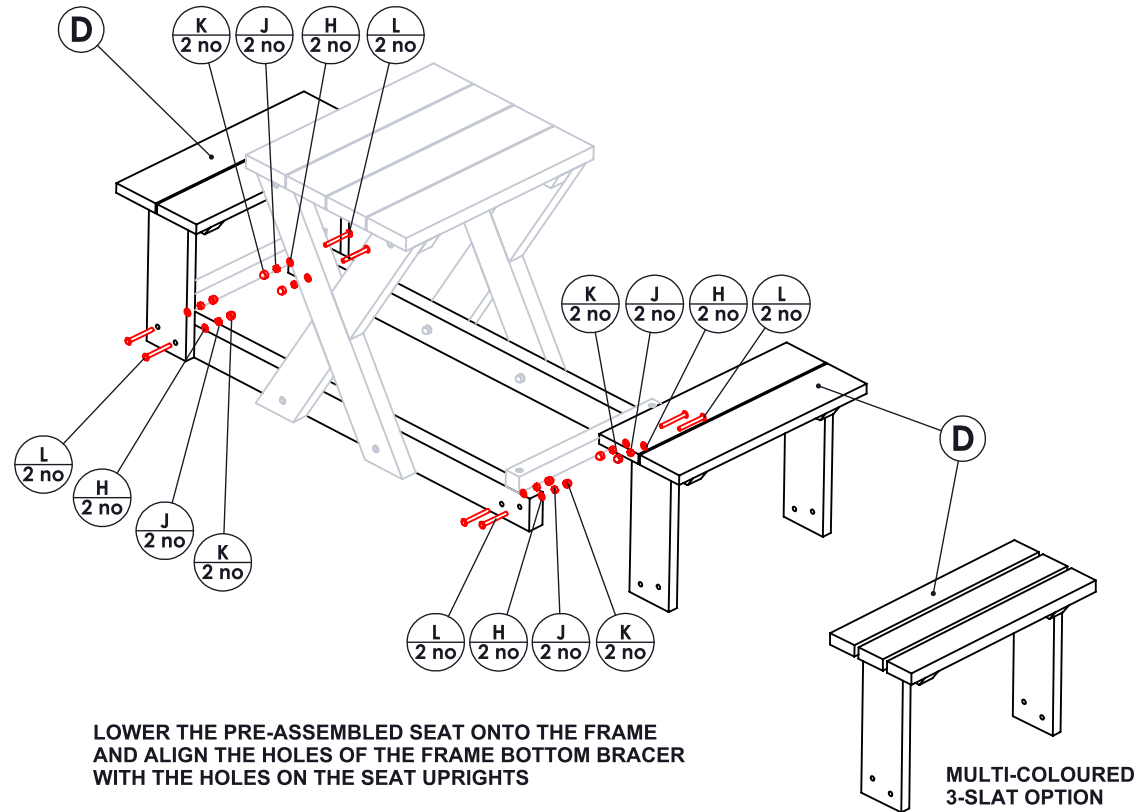
17mm SPANNER

IMPORTANT:-

Ensure that you are familiar with these assembly instructions prior to commencing assembly.

We will not accept any claims resulting from products that have been wrongly assembled.

Employ safe lifting procedures when handling components.



LOWER THE PRE-ASSEMBLED SEAT ONTO THE FRAME AND ALIGN THE HOLES OF THE FRAME BOTTOM BRACER WITH THE HOLES ON THE SEAT UPRIGHTS

USE M10 x 90mm BOLTS TO SECURE EACH UPRIGHT OF THE SEAT, ADD WASHER AND NUT AND TIGHTEN UP. COVER NUT WITH BLACK CAP TO FINISH

THIS COMPLETES THE TABLE ASSEMBLY

MULTI-COLOURED
3-SLAT OPTION

Please take care to install your furniture on level ground to ensure it looks its best for decades to come.
Please note that all dimensions are subject to a tolerance of + or - 3%

Please contact us if you need any further help or information.

WAINSGATE PICNIC TABLE

Assembly Guide - 2 of 2

Unit 8F, Top Land Country Business Park
Cragg Road, Mytholmroyd, Hebden Bridge,
West Yorkshire, HX7 5RW
Phone: 01422 419 555
Mail: info@britishrecycledplastic.co.uk

BRITISH
RECYCLED
PLASTIC

