

PARTS LIST - 2 PERSON ASSEMBLY:-

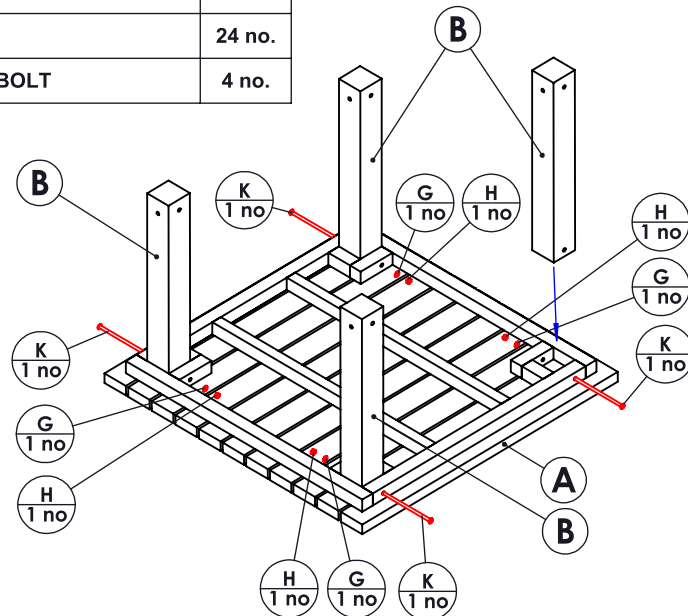
A	PRE-ASSEMBLED TABLE TOP	1 no.
B	LEG	4 no.
C	BOTTOM BRACER	8 no.
D	PRE-ASSEMBLED SEAT	4 no.
E	M10 x 150mm BOLT	8 no.
F	M10 x 80mm BOLT	16 no.
G	WASHER	28 no.
H	NUT	28 no.
J	CAP	24 no.
K	M10 x 220mm BOLT	4 no.

TOOLS:-

POWER DRILL WITH PHILIPS-HEAD BIT

M10 SOCKET or 17mm SPANNER

SPIRIT LEVEL



BEGIN ASSEMBLY WITH TABLE TOP TURNED UPSIDE DOWN. ATTACH LEGS TO TABLE TOP WITH M10 x 220mm BOLT THROUGH THE PRE-DRILLED HOLES. ADD WASHER AND NUT. USE SPIRIT LEVEL TO ALIGN LEGS BEFORE USING M10 SOCKET TO TIGHTEN AND FIX IN PLACE

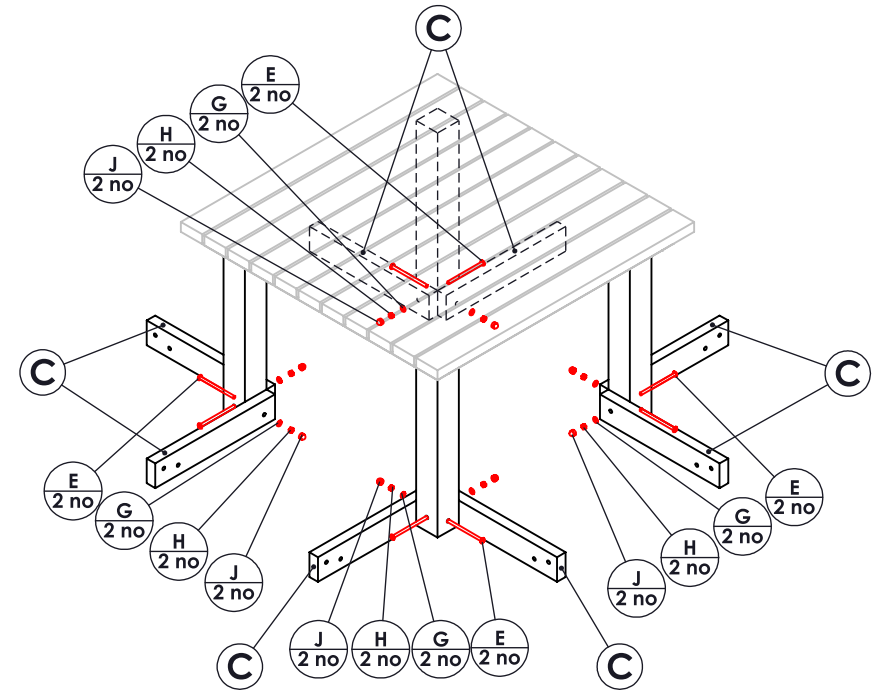
Please take care to install your furniture on level ground to ensure it looks its best for decades to come.
Please note that all dimensions are subject to a tolerance of + or - 3%

IMPORTANT:-

Ensure that you are familiar with these assembly instructions prior to commencing assembly.

We will not accept any claims resulting from products that have been wrongly assembled.

Employ safe lifting procedures when handling components.



POSITION THE BOTTOM BRACERS AS SHOWN AND FIX M10 x 150mm BOLT THROUGH THE PRE-DRILLED HOLES IN THE LEGS AND BOTTOM BRACERS, ADD WASHER AND NUT AND TIGHTEN UP, COVER NUT WITH BLACK CAP

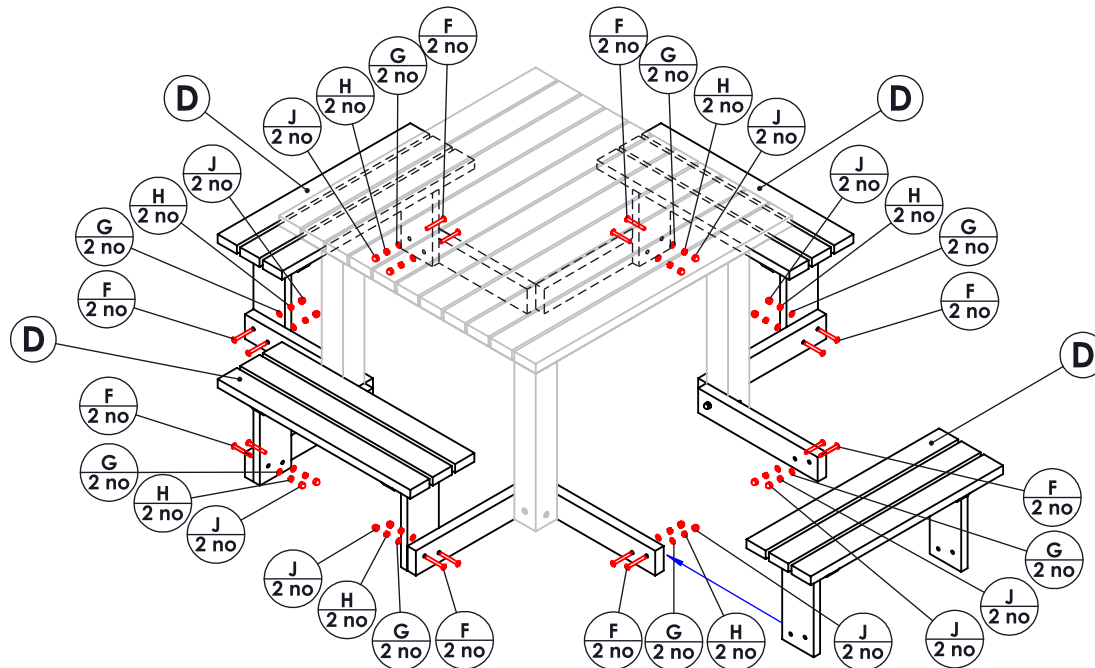
Please contact us if you need any further help or information.

BRIMHAM PICNIC TABLE**Assembly Guide - 1 of 2**

Unit 8F, Top Land Country Business Park
Cragg Road, Mytholmroyd, Hebden Bridge,
West Yorkshire, HX7 5RW
Phone: 01422 419 555
Mail: info@britishrecycledplastic.co.uk

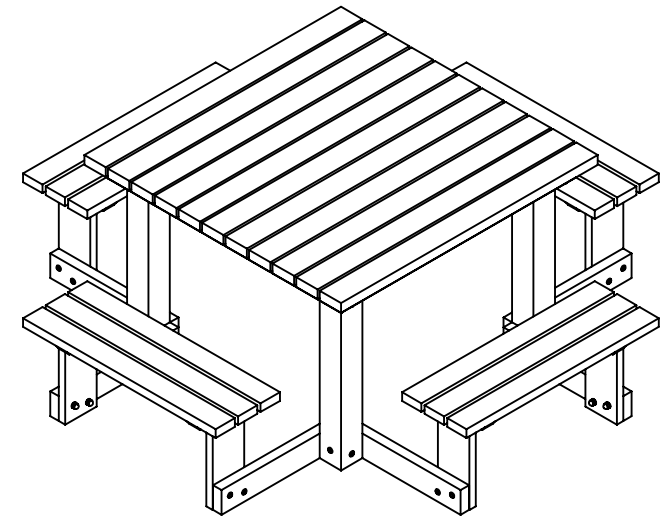
BRITISH
RECYCLED
PLASTIC



TOOLS:-**POWER DRILL WITH PHILIPS-HEAD BIT****M10 SOCKET or 17mm SPANNER**

LOWER THE PRE-ASSEMBLED SEAT ONTO THE FRAME AND ALIGN THE HOLES OF THE BOTTOM BRACER WITH THE HOLES ON THE SEAT UPRIGHTS

USE M10 x 80mm BOLTS TO SECURE EACH UPRIGHT OF THE SEAT, ADD WASHER AND NUT AND TIGHTEN UP. COVER NUT WITH BLACK CAP TO FINISH



THIS COMPLETES THE TABLE ASSEMBLY

IMPORTANT:-

Ensure that you are familiar with these assembly instructions prior to commencing assembly.

We will not accept any claims resulting from products that have been wrongly assembled.

Employ safe lifting procedures when handling components.

Please take care to install your furniture on level ground to ensure it looks its best for decades to come.
Please note that all dimensions are subject to a tolerance of + or - 3%

Please contact us if you need any further help or information.

BRIMHAM PICNIC TABLE**Assembly Guide - 2 of 2**

Unit 8F, Top Land Country Business Park
Cragg Road, Mytholmroyd, Hebden Bridge,
West Yorkshire, HX7 5RW
Phone: 01422 419 555
Mail: info@britishrecycledplastic.co.uk

**BRITISH
RECYCLED
PLASTIC**

