

PARTS LIST - 1 PERSON ASSEMBLY:-

A	SIDE PANELS holes drilled parallel to planks	4 no.
B	END PANELS holes drilled from front to back	2 no.
C	LONGER BOLTS	8 no.
D	SHORTER BOLTS	4 no.
E	NUT	12 no.
F	WASHER	12 no.
G	CROSS MEMBERS 50MM X 50MM	1 no.

TOOLS:-

SCREWDRIVER WITH PHILIPS HEAD (POWERED OR MANUAL)
17MM ADJUSTABLE SPANNER

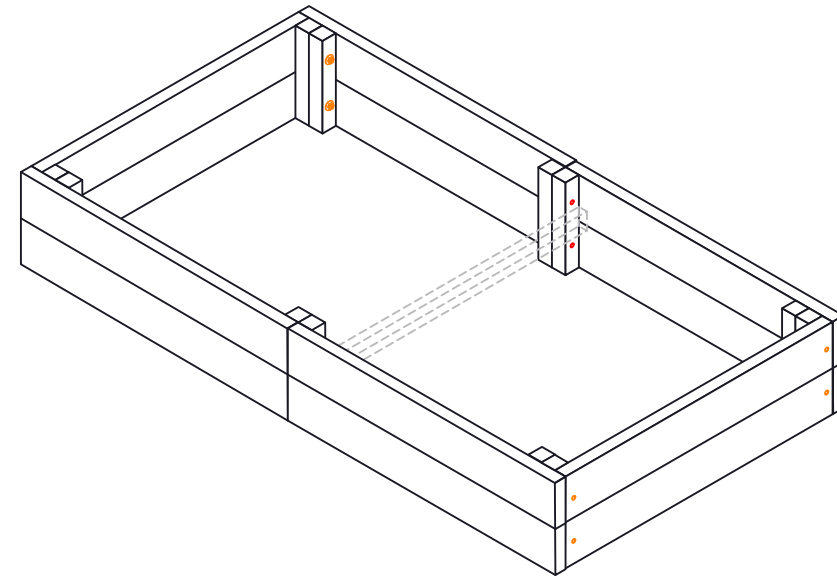
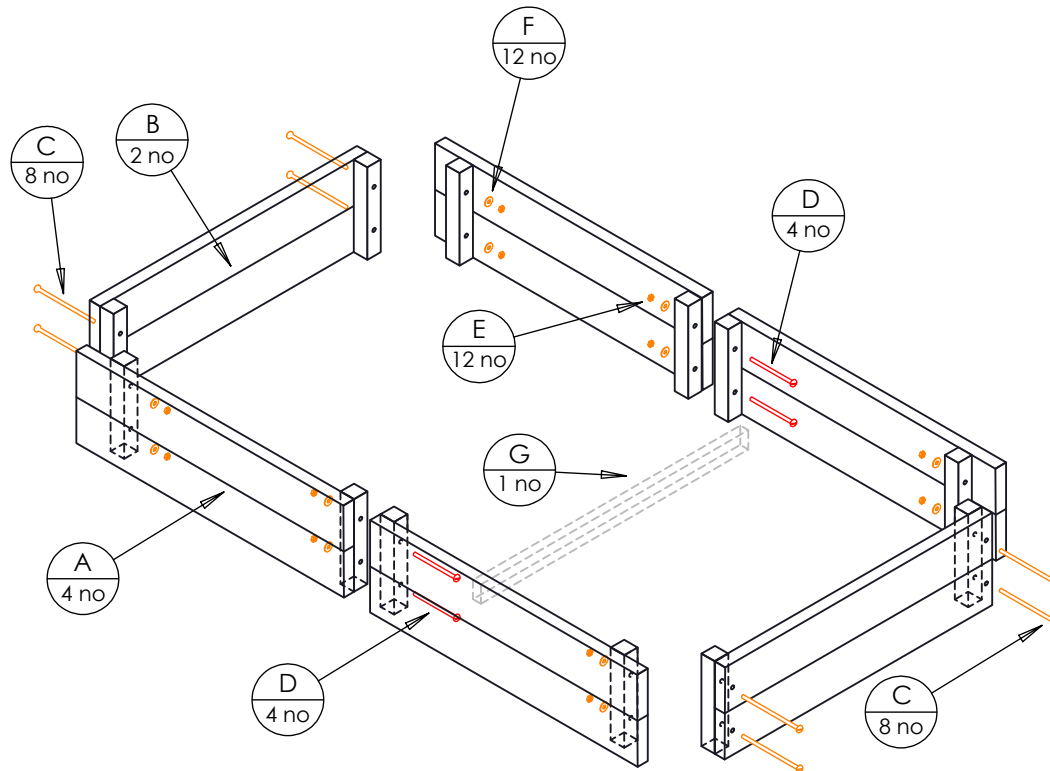
CROSS MEMBERS NEED TO BE USED AT THE JOINTS ALONG THE LENGTH OF THE RAISED BED - ONE PER JOINT FOR BEDS 300MM HIGH, TWO FOR BEDS 600MM OR 750MM HIGH.

IMPORTANT:-

Ensure that you are familiar with these assembly instructions prior to commencing assembly.

We will not accept any claims resulting from products that have been wrongly assembled.

Employ safe lifting procedures when handling components.



LAY THE PIECES OUT FIRST TO MAKE SURE YOU HAVE EVERYTHING. THE END PANELS HAVE POSTS RIGHT AT THE EDGE ON BOTH SIDES. THE SIDE PANELS HAVE POSTS AT THE EDGE ON THE SIDE WHERE THEY WILL BE JOINED TO ANOTHER SIDE PANEL, AND SET BACK WHERE THEY WILL JOIN TO AN END PANEL.

Please take care to install your furniture on level ground to ensure it looks its best for decades to come.
Please note that all dimensions are subject to a tolerance of + or - 3%

Please contact us if you need any further help or information.

RAISED BED**Assembly Guide**

for 1m x 2m x 300mm bed, but this guide can be used for all sizes of kits.

Unit 8F, Top Land Country Business Park
Cragg Road, Mytholmroyd, Hebden Bridge,
West Yorkshire, HX7 5RW
Phone: 01422 419 555
Mail: info@britishrecycledplastic.co.uk

BRITISH
RECYCLED
PLASTIC

