

PARTS LIST - 2 PERSON ASSEMBLY:-

A	M10 x 160mm BOLT	18 no.
B	WASHER	18 no.
C	M10 NUT	18 no.
D	PRE-ASSEMBLED BENCH SECTIONS	6 no.

TOOLS:-

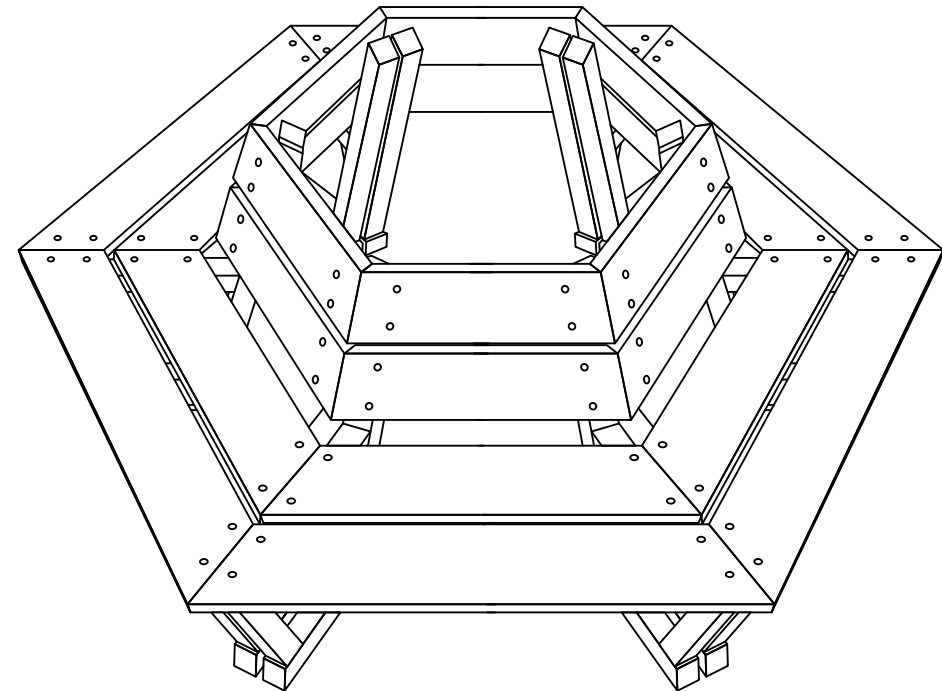
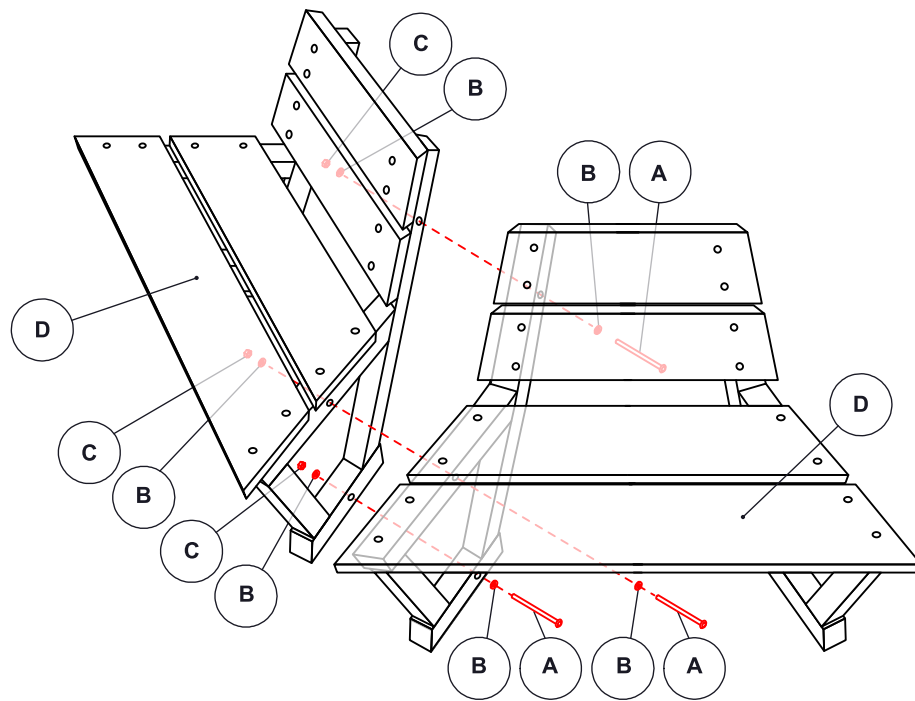
17mm SPANNER

IMPORTANT:-

Ensure that you are familiar with these assembly instructions prior to commencing assembly.

We will not accept any claims resulting from products that have been wrongly assembled.

Employ safe lifting procedures when handling components.



Please take care to install your furniture on level ground to ensure it looks its best for decades to come.
Please note that all dimensions are subject to a tolerance of + or - 3%

Please contact us if you need any further help or information.

WRAP AROUND TREE BENCH**Assembly Guide**

Unit 8F, Top Land Country Business Park
Cragg Road, Mytholmroyd, Hebden Bridge,
West Yorkshire, HX7 5RW
Phone: 01422 419 555
Mail: info@britishrecycledplastic.co.uk

**BRITISH
RECYCLED
PLASTIC**

