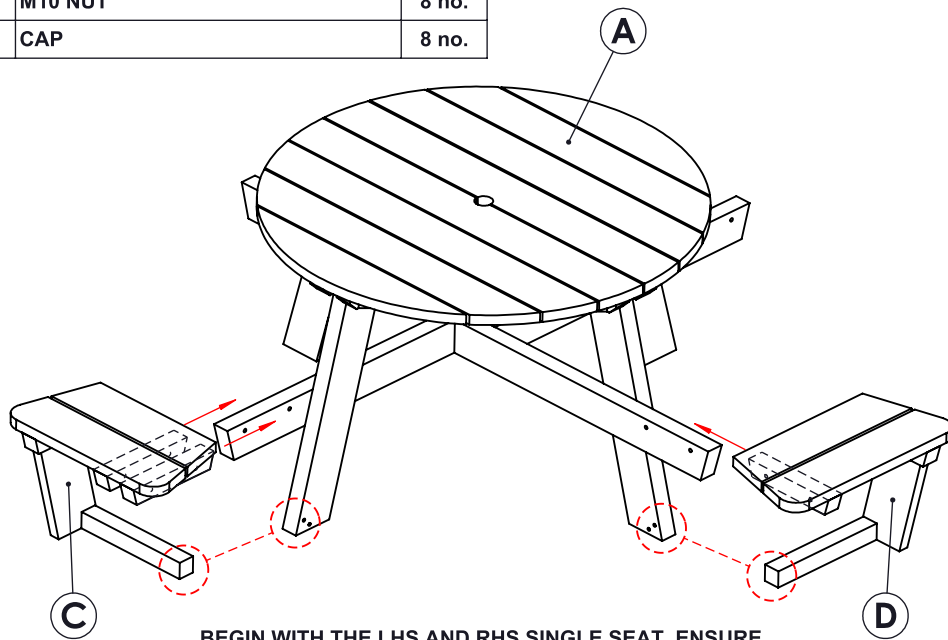


PARTS LIST - 2 PERSON ASSEMBLY:-

A	PRE-ASSEMBLED TABLE + FRAME	1 no.
B	PRE-ASSEMBLED DOUBLE SEAT	2 no.
C	PRE-ASSEMBLED LHS SINGLE SEAT	1 no.
D	PRE-ASSEMBLED RHS SINGLE SEAT	1 no.
E	70mm S/STEEL SCREW	4 no.
F	M10 x 110mm BOLT	2 no.
G	M10 x 160mm BOLT	6 no.
H	WASHER	8 no.
J	M10 NUT	8 no.
K	CAP	8 no.

TOOLS:-

HAMMER
17mm SPANNER



BEGIN WITH THE LHS AND RHS SINGLE SEAT. ENSURE END OF SEAT BRACE ALIGNS WITH THE TABLE LEGS WHICH HAVE PRE-DRILLED COUNTER SUNK HOLES

POSITION TIES OF THE LHS AND RHS SINGLE SEAT AS SHOWN IN RELATION TO THE TABLE'S CROSS-FRAME

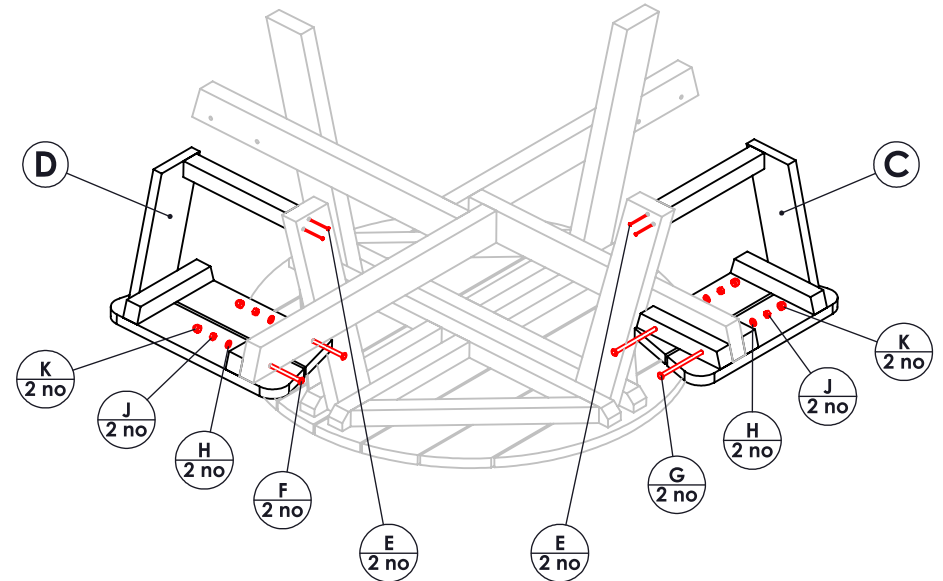


TABLE SHOWN UPSIDE DOWN FOR ILLUSTRATION PURPOSES ONLY

USING THE PROVIDED M10 x 160mm BOLT (LHS SINGLE SEAT) AND M10 x 110mm BOLT (RHS SINGLE SEAT), FIX THE BOLT THROUGH PRE-DRILLED HOLES IN SEAT TIE AND TABLE FRAME BRACES, ADD WASHER AND NUT AND TIGHTEN UP, COVER NUT WITH BLACK CAP. ATTACH SEAT BRACE TO TABLE LEG USING 70mm S/STEEL SCREWS

IMPORTANT:-

Ensure that you are familiar with these assembly instructions prior to commencing assembly.

We will not accept any claims resulting from products that have been wrongly assembled.

Employ safe lifting procedures when handling components.

Please take care to install your furniture on level ground to ensure it looks its best for decades to come.
Please note that all dimensions are subject to a tolerance of + or - 3%

Please contact us if you need any further help or information.

CALDER WHEELCHAIR ACCESSIBLE PICNIC TABLE

Assembly Guide - 1 of 2

Unit 8F, Top Land Country Business Park
Cragg Road, Mytholmroyd, Hebden Bridge,
West Yorkshire, HX7 5RW
Phone: 01422 419 555
Mail: info@britishrecycledplastic.co.uk

BRITISH
RECYCLED
PLASTIC

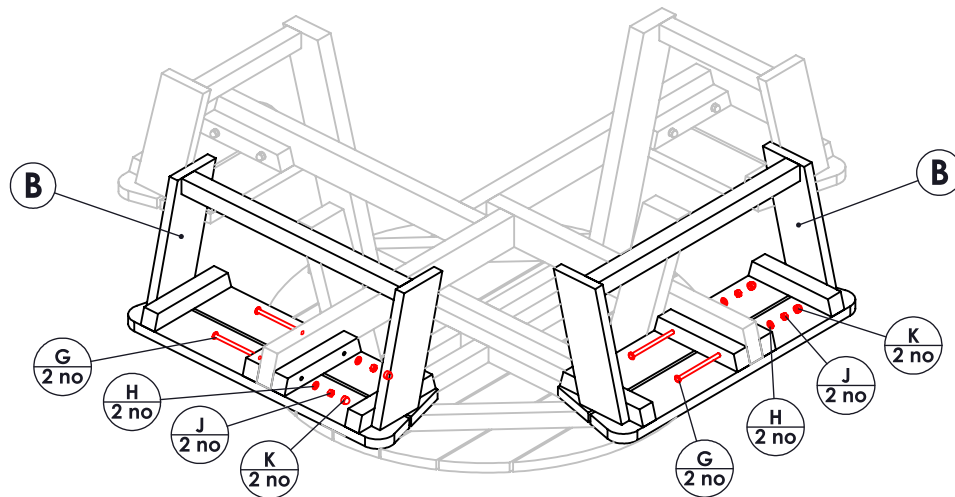


TOOLS:-**HAMMER****17mm SPANNER****IMPORTANT:-**

Ensure that you are familiar with these assembly instructions prior to commencing assembly.

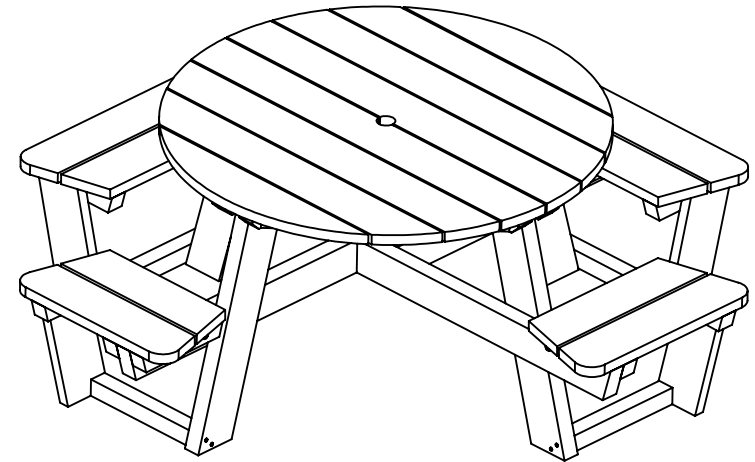
We will not accept any claims resulting from products that have been wrongly assembled.

Employ safe lifting procedures when handling components.



*TABLE SHOWN UPSIDE DOWN FOR
ILLUSTRATION PURPOSES ONLY*

POSITION TIES OF PRE-ASSEMBLED DOUBLE SEAT EITHER SIDE OF TABLE'S CROSS FRAME. USING A PROVIDED M10 x 160mm BOLT, FIX THE BOLT THROUGH PRE-DRILLED HOLES IN SEAT TIE AND TABLE FRAME BRACES, ADD WASHER AND NUT AND TIGHTEN UP, COVER NUT WITH BLACK CAP



THIS COMPLETES THE PICNIC TABLE ASSEMBLY

Please take care to install your furniture on level ground to ensure it looks its best for decades to come.
Please note that all dimensions are subject to a tolerance of + or - 3%

Please contact us if you need any further help or information.

CALDER WHEELCHAIR ACCESSIBLE PICNIC TABLE

Assembly Guide - 2 of 2

Unit 8F, Top Land Country Business Park
Cragg Road, Mytholmroyd, Hebden Bridge,
West Yorkshire, HX7 5RW
Phone: 01422 419 555
Mail: info@britishrecycledplastic.co.uk

BRITISH
RECYCLED
PLASTIC 